

Pioneering for You


wilo

Wilo Philippines – Edition 2017

Wilo – Submersible Pumps

Our solutions for drainage, sewage, agriculture, dewatering and industrial applications.





**“Those who want
quality choose Wilo”**

Wilo stands for quality and reliability in all applications that have to do with water supply and sewage disposal. Our pumps are characterized by their high durability and operational reliability. Wilo always helps you make the right decision. You save time in selecting a pump and in installing it. That pays off.



Member of
**German Water
Partnership**

wilo

Wilo – DP Series – Submersible Drainage Pumps



Type key

Example : DP 50/11-04-V-1

DP	Drainage Pump
50	Discharge (mm)
11	Shut-off head at Zero flow (m)
04	Motor power x 100 (watts)
V	Impeller type
	V: Vortex, C: Channel
1	Motor Phase
A	Float switch

Special features/product advantages

- Electrical cable with an epoxy resin sealed water resistant cable base.
- Auto-cut thermal motor protector.
- Dual mechanical seals for increased protection

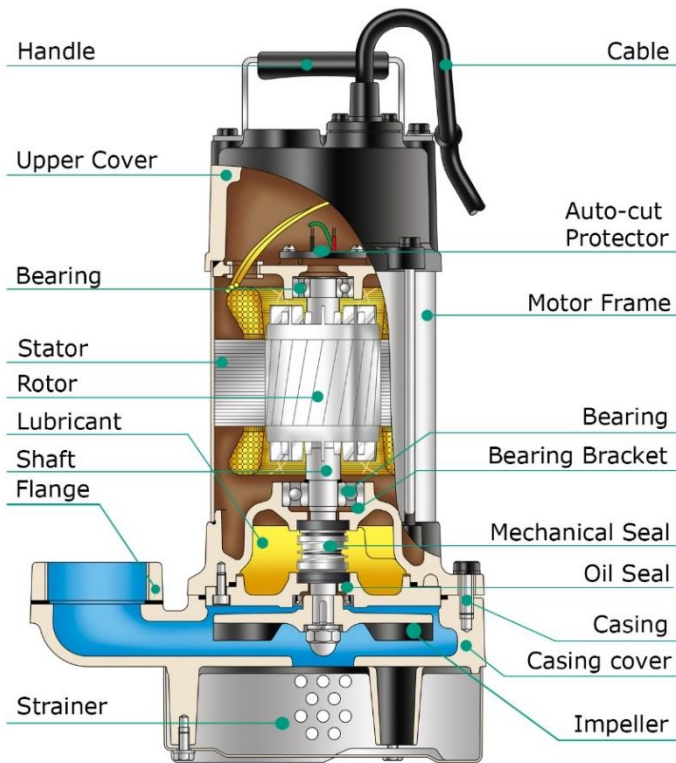
Application

- Drainage of rainwater collection devices, pump sumps and cellars.
- Suitable for flood control with automatic or manual operation available.
- Dewatering for fish ponds or basements.

Technical data

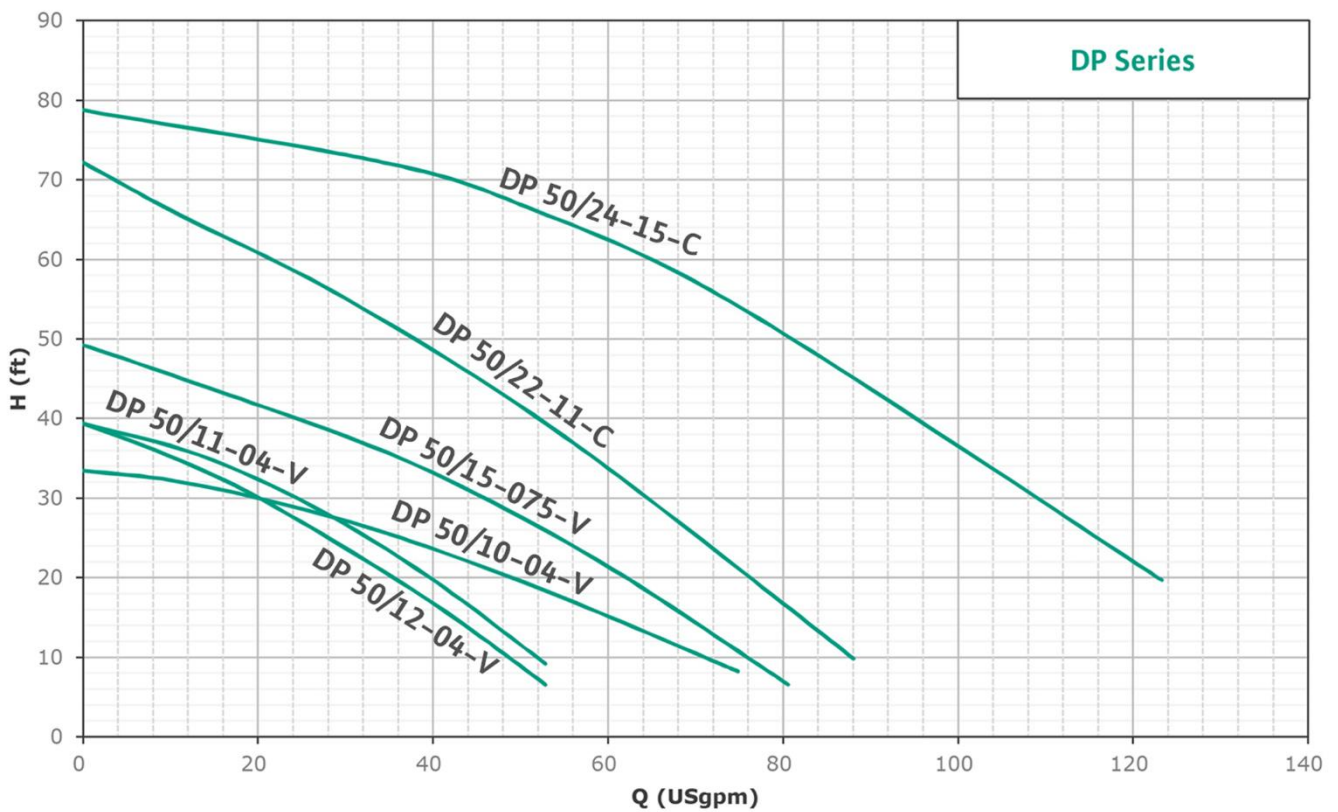
• Liquid Temperature :	0~40°C
• Max. Submersion Depth :	100 ft (30m)
• Frequency :	60Hz
• Motor :	2-Pole Dry Motor
• Insulation :	Class B
• Protection :	IP-68
• Bearing :	Ball type
• Mechanical seal :	Double Mech. seals
• Impeller :	Vortex or Channel

Technical Data

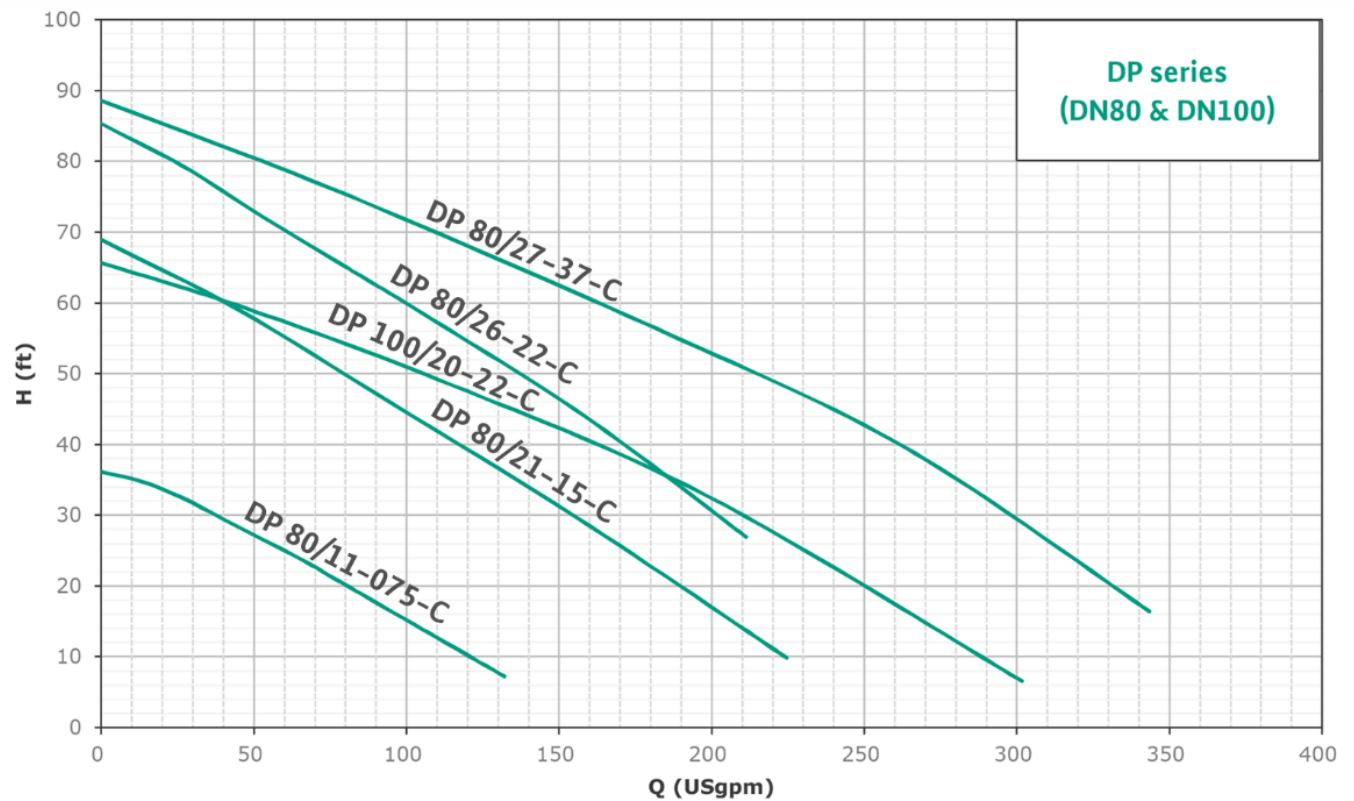
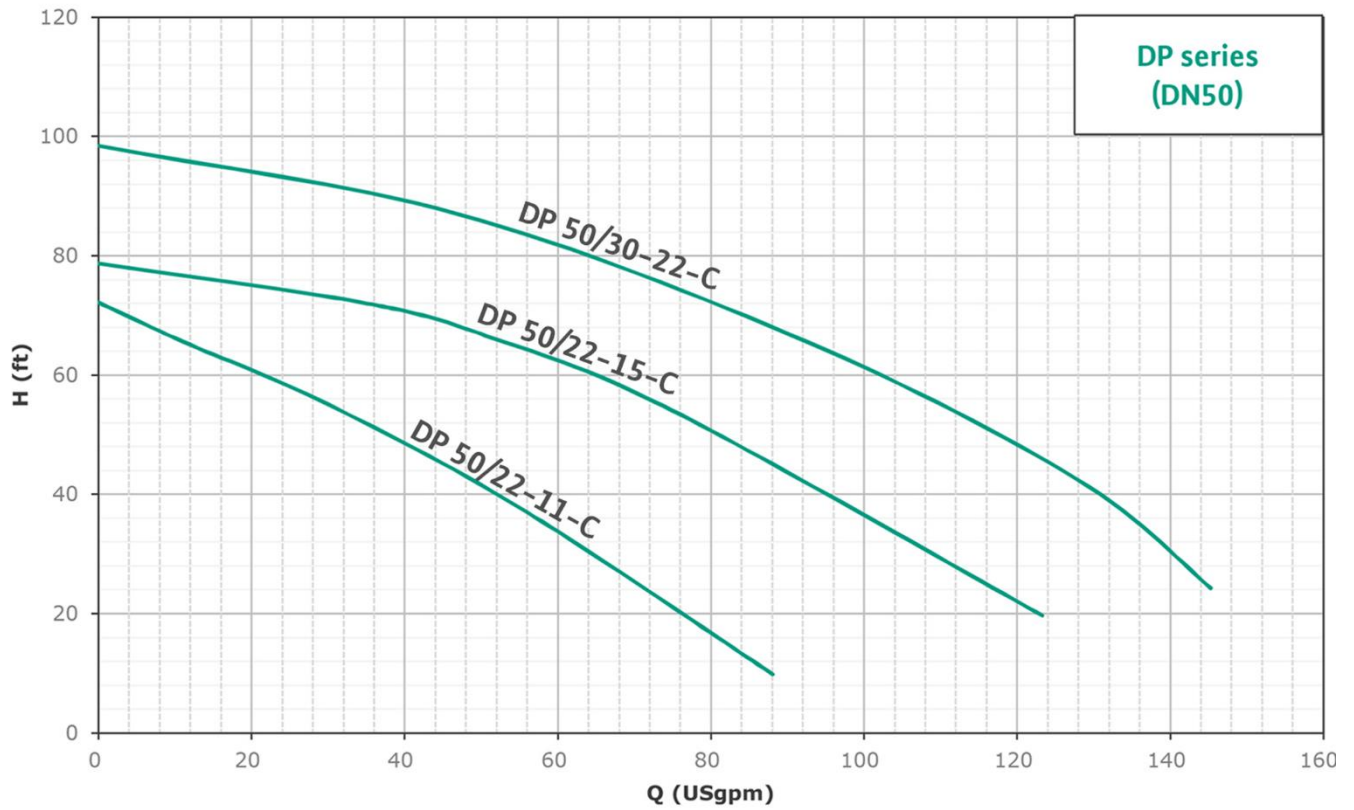


Materials

- Upper cover : Cast Iron (FC200)
- Motor frame : 304 Stainless Steel
- Shaft end :
0.4-0.75kW 410 Stainless Steel
1.0-2.2kW 403 Stainless Steel
- Mechanical seal
Upper : Carbon/Ceramic
Lower : Silicon/Silicon
(DP50/11) Carbon/Ceramic
- Casing : Cast Iron (FC200)
- Impeller : Cast Iron (FC200)
- Cable : VCT optional (H07RN-F)



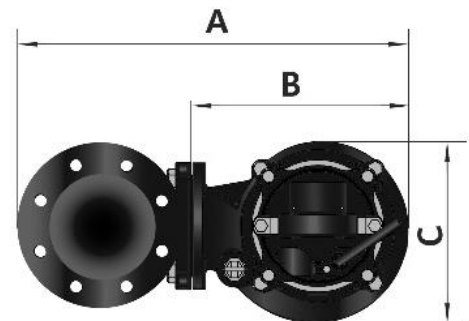
Performance Curve



Technical Data

Model	Discharge (mm)	Solid Passage (mm)	Rated power		Full Load Ampere				Pole	Weight (Kg)	
					1 ϕ	3 ϕ				1 ϕ	3 ϕ
			kW	HP	230V	230V	380V	460V			
DP 50/11-04-V	50	7.5	0.4	0.5	3	~	~	~	2	12	~
DP 50/12-04-V	50	7.5	0.4	0.5	2.8	1.9	1.1	1	2	13	12
DP 50/10-04-V	50	10	0.4	0.5	3.3	2.3	1.3	1.1	2	16	14
DP 50/15-075-V	50	10	0.75	1	5.2	3.4	1.9	1.6	2	17	15
DP 80/11-075-C	80	10	0.75	1	5.2	3.4	1.9	1.6	2	18	17
DP 50/22-11-C	50	7	1.1	1.5	6.4	4.1	2.3	2.1	2	20	18
DP 50/24-15-C	50	10.5	1.5	2	10	6	3.4	3	2	31	27
DP 50/30-22-C	50	10.5	2.2	3	14.6	8.6	4.8	4.2	2	35	30
DP 80/21-15-C	80	10.5	1.5	2	10	6	3.4	4.2	2	33	29
DP 80/26-22-C	80	10.5	2.2	3	14.6	8.6	4.8	4.2	2	36.5	31.5
DP 100/20-22-C	100	20	2.2	3	14.6	8.6	4.8	4.2	2	37	32
DP 80/27-37-C	80	20	3.7	5	~	14	7.9	6.6	2	~	35

Model	A	B	C	D	
				1 ϕ	3 ϕ
	(mm)				
DP 50/11-04-V	225	190	161	349	
DP 50/12-04-V	225	190	161	371	371
DP 50/10-04-V	245	207	173	428	428
DP 50/15-075-V	245	207	173	428	428
DP 80/11-075-C	278	224	173	456	456
DP 50/22-11-C	262	224	187	408	408
DP 50/24-15-C	282	244	207	580	499
DP 50/30-22-C	282	244	207	592	499
DP 80/21-15-C	391	249	208	591	510
DP 80/26-22-C	391	249	208	603	510
DP 100/20-22-C	389	248	207	601	520
DP 80/27-37-C	440	248	207	~	540



Wilo – VP Series – Submersible Vortex Pumps



Type key

Example : VP 50/9-04-V-1

VP	Vortex Pump
50	Discharge (mm)
9	Shut-off head at Zero flow (m)
04	Motor power x 100 (watts)
V	Impeller type V: Vortex, C: Channel
1	Motor Phase
A	Float switch

Application

- Drainage of sewage from the building basements, hotel industry and wastewater from factories.
- Drainage and sewage from industrial process factories
- Emptying of septic tanks, cesspits and sewage pump stations.
- Pumping surface and drainage water from garages and sprinkler systems

Special features/product advantages

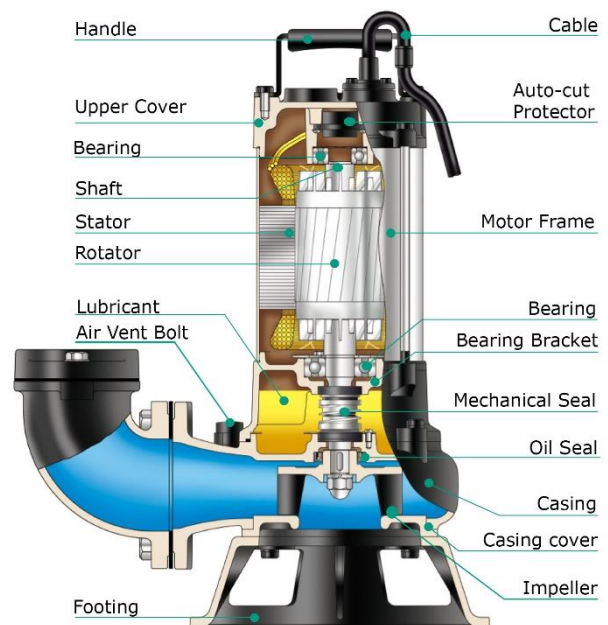
- Standard accessories include : cable with an epoxy resin sealed water resistant cable base, auto-cut thermal motor protector, dual mechanical seals and lip seal design.
- The VP 50/11-04-V is a practical pump, with an oil filled motor and single seal design (CA/CE).

Technical data

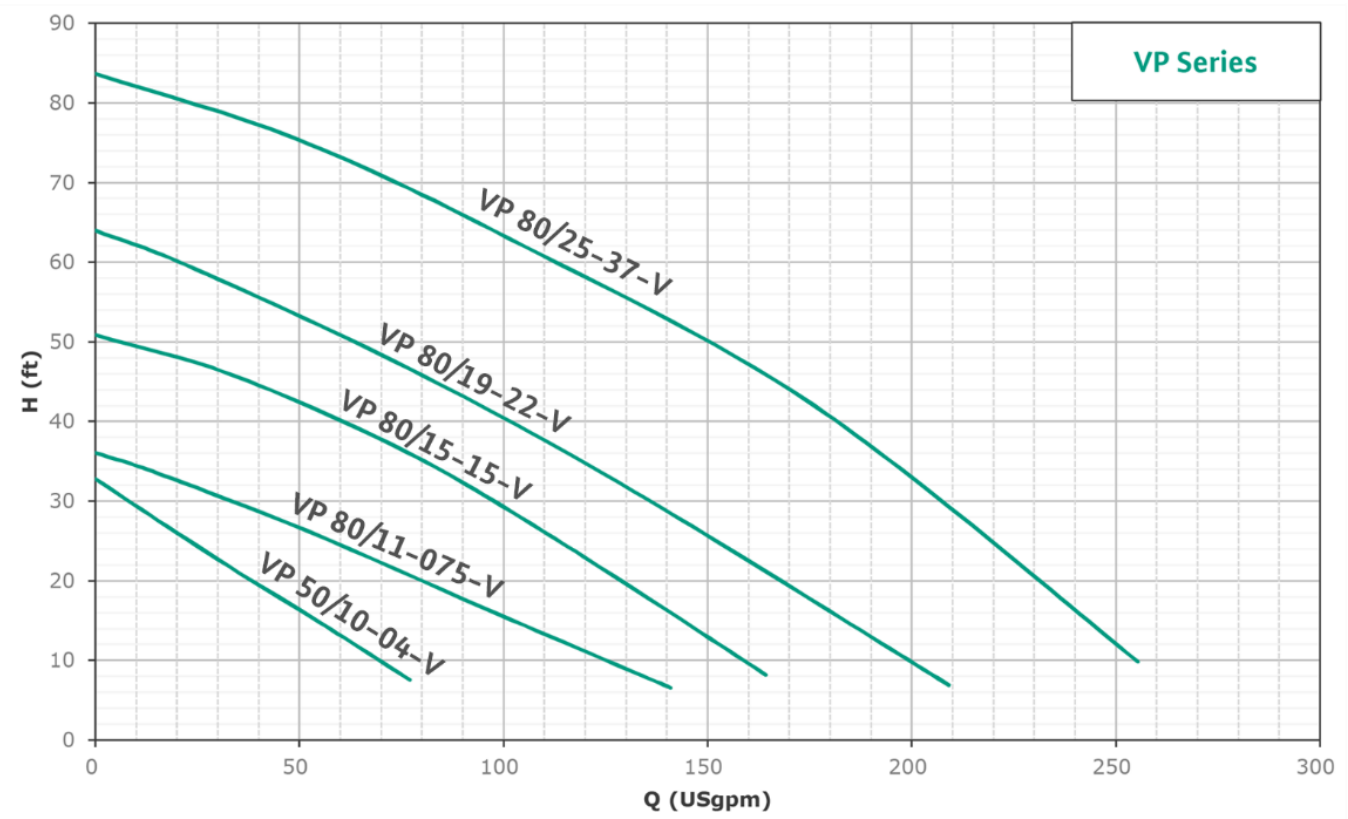
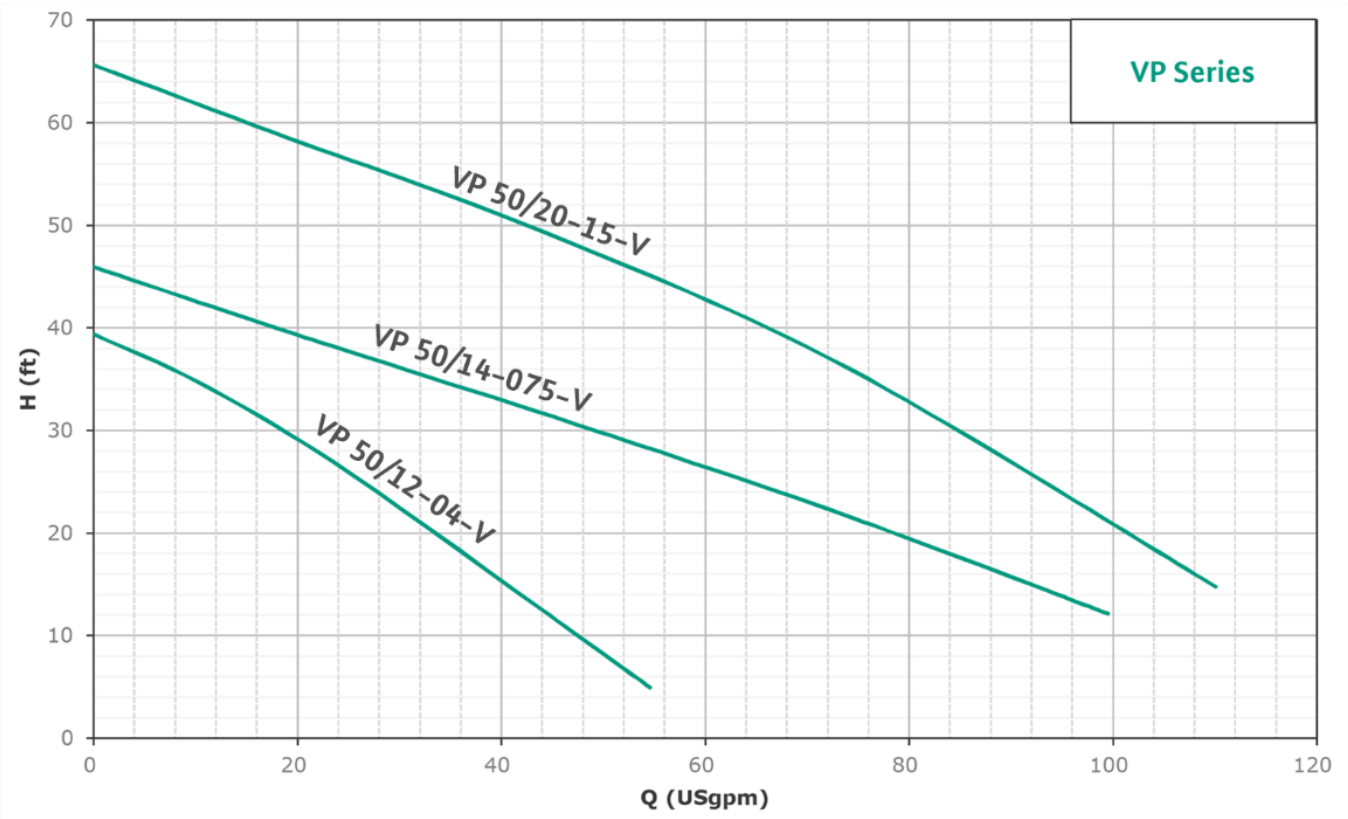
- Liquid Temperature : 0~40°C
- Max. Submersion Depth : 100 ft (30m)
- Frequency : 60Hz
- Motor : 2-Pole Dry Motor
VP50/11-04-V – Oil Motor
- Insulation : Class B (Up to 2.2kW)
Class F (3kW and above)
- Protection : IP-68
- Bearing : Ball type
- Mechanical seal : Double Mech. Seals
VP50/11-04-V – Single
- Impeller : Vortex

Materials

- Upper cover : Cast Iron (FC200)
- Motor frame : SUS304 Stainless Steel
- Shaft end : 0.4-0.75kW 410 Stainless Steel
1.0-2.2kW 403 Stainless Steel
- Mechanical seal
Upper : Carbon/Ceramic
Lower : Silicon/Silicon
- O-Ring : Viton
- Casing : Cast Iron (FC200)
- Impeller : Cast Iron (FC200)
- Cable : VCT optional (H07RN-F)



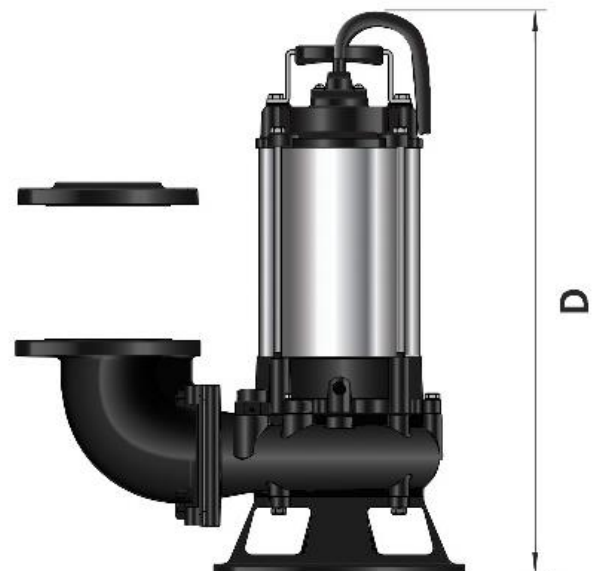
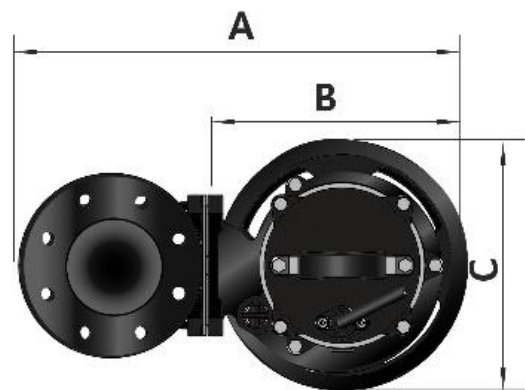
Performance Curve



Technical Data

Model	Discharge (mm)	Solid Passage (mm)	Rated power		Full Load Ampere				Pole	Weight (kg)	
					1 ϕ	3 ϕ				1 ϕ	3 ϕ
			kW	HP	230V	230V	380V	460V			
VP 50/10-04-V	50	35	0.4	0.5	3.3	2.3	1.3	1.1	2	16	15
VP 50/12-04-V	50	10	0.4	0.5	3	~	~	~	2	12	~
VP 50/14-075-V	50	35	0.75	1	5.2	3.4	1.9	1.6	2	17	16
VP 50/20-15-V	50	35	1.5	2	10	6	3.4	3	2	30	25
VP 80/11-075-V	80	30	0.75	1	5.2	3.4	1.9	1.6	2	18	17
VP 80/15-15-V	80	50	1.5	2	10	6	3.4	3	2	32	28
VP 80/19-22-V	80	50	2.2	3	14.6	8.6	4.8	4.2	2	35	30
VP 80/25-37-V	80	50	3.7	5	~	14	7.9	6.6	2	~	33

Model	A	B	C	D	
				1 ϕ	3 ϕ
	(mm)				
VP 50/10-04-V	237	199	154	425	425
VP 50/12-04-V	255	190	161	349	~
VP 50/14-075-V	237	199	154	425	425
VP 50/20-15-V	288	250	202	546	477
VP 80/11-075-V	278	224	173	456	456
VP 80/15-15-V	402	260	202	588	519
VP 80/19-22-V	402	260	202	600	519
VP 80/25-37-V	453	260	202	~	539



Wilo – CSP Series – Submersible Cutter Sewage Pump



Wilo – CSP Cast Iron



Wilo – CSP Stainless Steel

Type key

Example : CSP 80/21-22-C-1

CSP	Cutter Sewage Pump
80	Discharge (mm)
21	Shut-off head at Zero flow (m)
22	Motor power x 100 (watts)
C	Impeller type (Channel) Cutter version with tungsten carbide tip
1	Motor Phase
A	Float switch

Application

- Drainage of sewage from building basements, hotels, and waste water from factories.
- Suitable for industrial wash down applications with no chemical treatments.
- Emptying of septic tanks, cesspits and sewage pump stations.

Special features/product advantages

- Electrical cable with an epoxy resin sealed water resistant cable base.
- Auto-cut thermal motor protector.
- Dual mechanical seals for increased protection

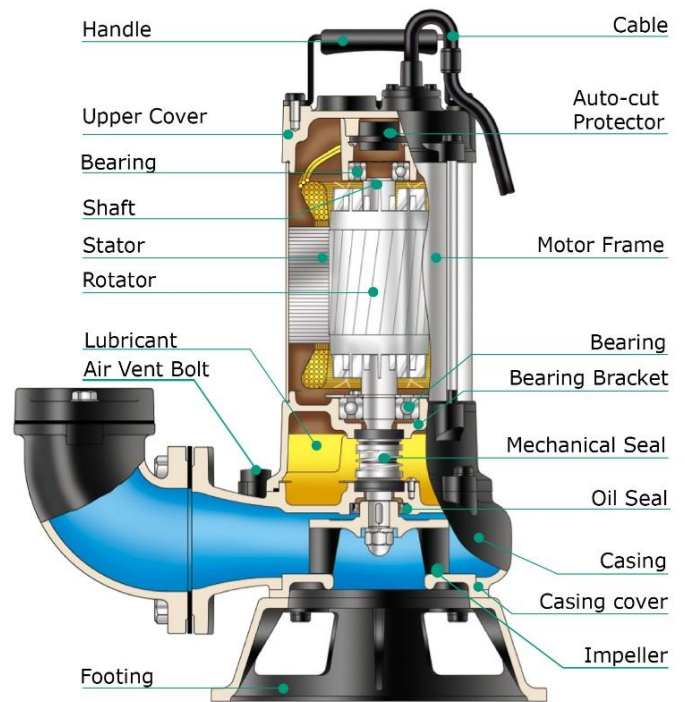
Technical Data

Technical data

- Liquid Temperature : 0~40°C
- Max. Submersion Depth : 100 ft (30m)
- Frequency : 60Hz
- Motor : 2-Pole Dry Motor
- Insulation : Class B
- Protection : IP-68
- Bearing : Ball type
- Mechanical seal : Double Mech. seals
- Impeller : Channel with tungsten carbide cutting tip

Materials

- Upper cover : Cast Iron (FC200)
- Motor frame: 304 Stainless Steel
- Shaft end
 - CSP 50 : 410 Stainless Steel
 - CSP 80 : 410 Stainless Steel
- Mechanical seal
 - Upper : Carbon/Ceramic
 - Lower : Silicon/Silicon
- Casing : Cast iron (FC200)
- Impeller : Cast iron (FC200)
- Cable : VCT optional (H07RN-F)



C Type impeller and cutter casing cover

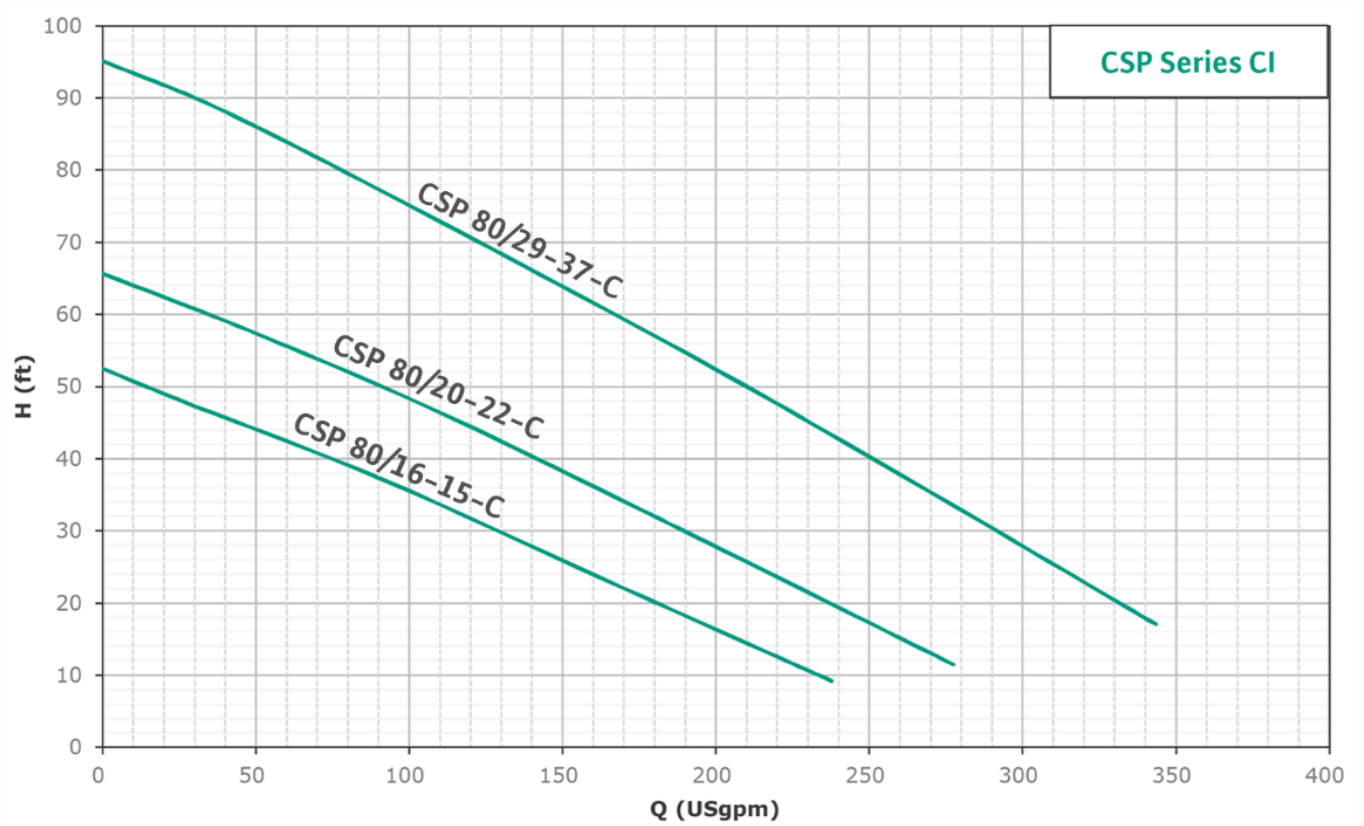
Semi-open

The tungsten carbide edge, on the impeller vanes, shreds against the inner cutting blade to breakdown destructible solids into small pieces to prevent clogging in the pump.

The heat hardened casing cover is designated to withstand abrasions.

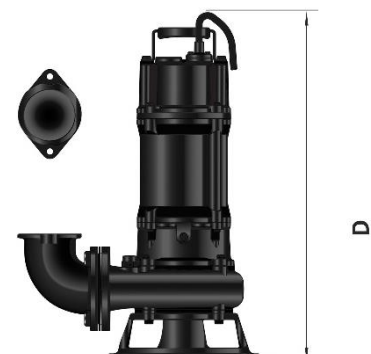
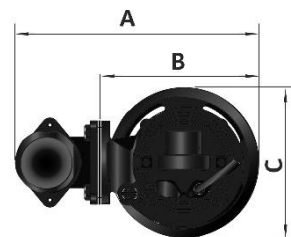


Technical Data – CSP–Cast Iron

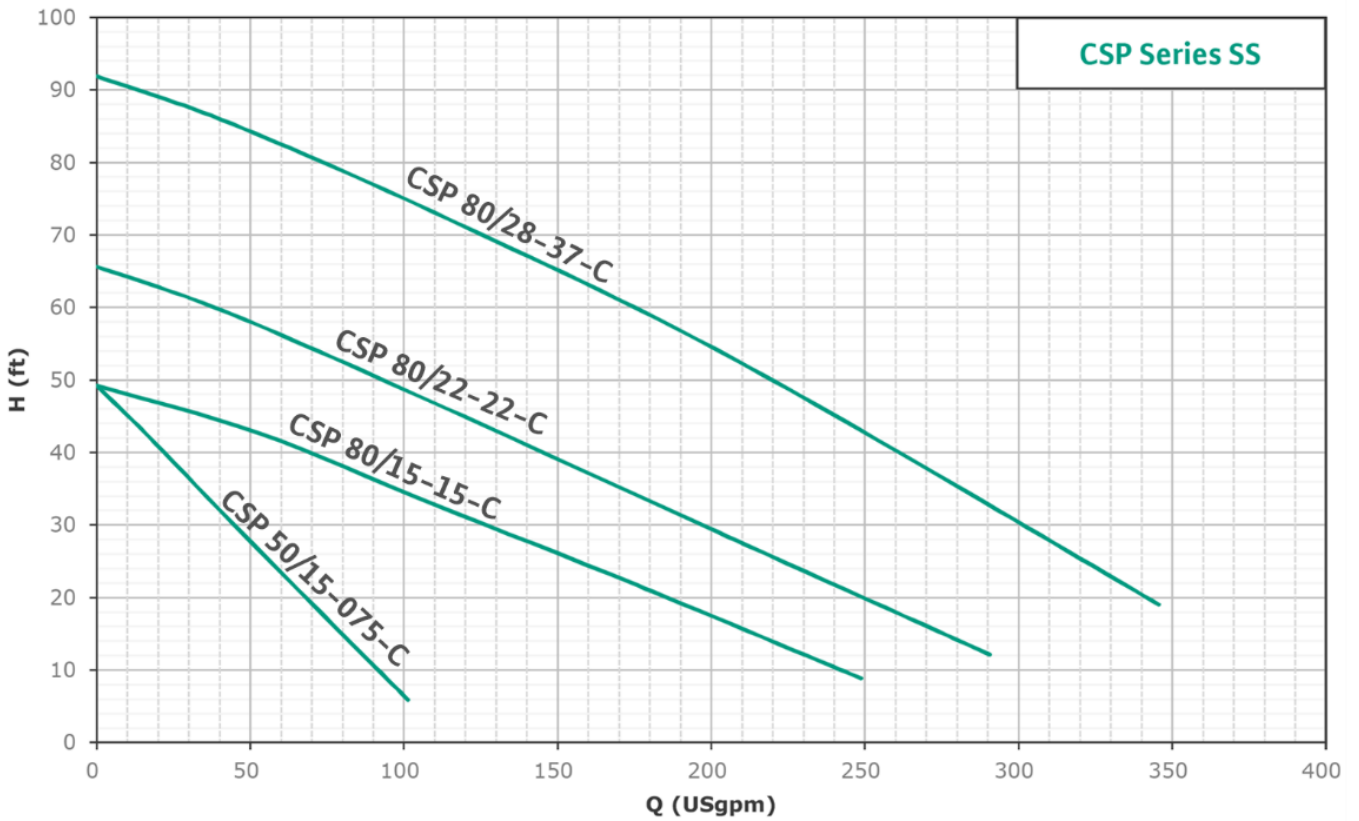


Model	Discharge (mm)	Solid Passage (mm)	Rated power		Full Load Ampere				Pole	Weight (kg)	
					1 ϕ	3 ϕ				1 ϕ	3 ϕ
			kW	HP		220V	220V	380V			
CSP 80/16-15-C	80	62	1.5	2	10	6	3.4	3	2	37	33
CSP 80/20-22-C	80	62	2.2	3	14.6	8.6	4.8	4.2	2	40	35
CSP 80/29-37-C	80	62	3.7	5	~	13.8	7.8	6.8	2	~	48

Model	A	B	C	D	
				1 ϕ	3 ϕ
	(mm)				
CSP 80/16-15-C	417	275	260	576	521
CSP 80/20-22-C	417	275	260	603	521
CSP 80/29-37-C	498	305	290	~	578

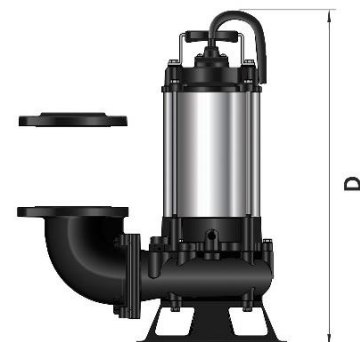
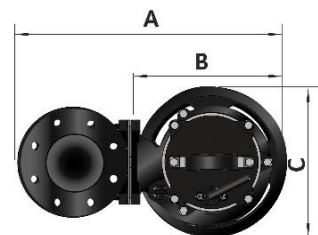


Technical Data – CSP–Stainless Steel



Model	Discharge (mm)	Solid Passage (mm)	Rated power		Full Load Ampere				Pole	Weight (Kg)	
					1 Ø		3 Ø			1 Ø	3 Ø
			kW	HP	220V	220V	380V	460V			
CSP 50/15-075-C	50	22	0.75	1	5.2	3.4	1.9	1.6	2	18	17
CSP 80/15-15-C	80	35	1.5	2	10	4	3.4	3	2	34	30
CSP 80/22-22-C	80	35	2.2	3	14.6	8.6	4.8	4.2	2	37	32
CSP 80/28-37-C	80	35	3.7	5	~	14	7.9	6.6	2	~	35

Model	A	B	C	D	
				1 Ø	3 Ø
	(mm)				
CSP 50/15-075-C	276	238	235	459	459
CSP 80/15-15-C	417	275	260	590	521
CSP 80/22-22-C	278	224	173	456	456
CSP 80/28-37-C	468	275	260	~	541



Wilo – GP Series – Submersible Grinder Pump



Type key

Example : GP 32/21-10-G-1

- GP** Grinder Pump
- 32** Discharge (mm)
- 10** Shut-off head at Zero flow (m)
- 10** Motor power x 100 (watts)
- G** Impeller type (Grinder)
Radial cutter and cutter ring
(SUS440C)
- 1** Motor Phase
- A** Float switch

Application

- Used in pressure sewage system.
- Drainage of wastewater from individual residences, apartment buildings, recreational developments, motels
- Transferring wastewater of commercial buildings, industrial plants, wastewater sampling, small hospitals.

Special features/product advantages

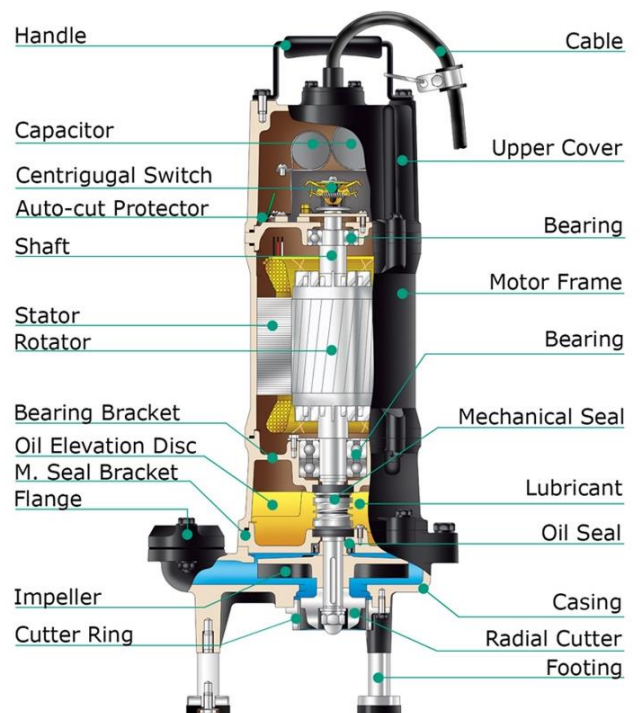
- Heavy-duty grinder mechanism to provide reliability in difficult applications.
- Specific single phase design for starting torque, and its torque is five times stronger than general capacitor pump.
- Single phase equipped with centrifugal switch and capacitor motor design.

Technical data

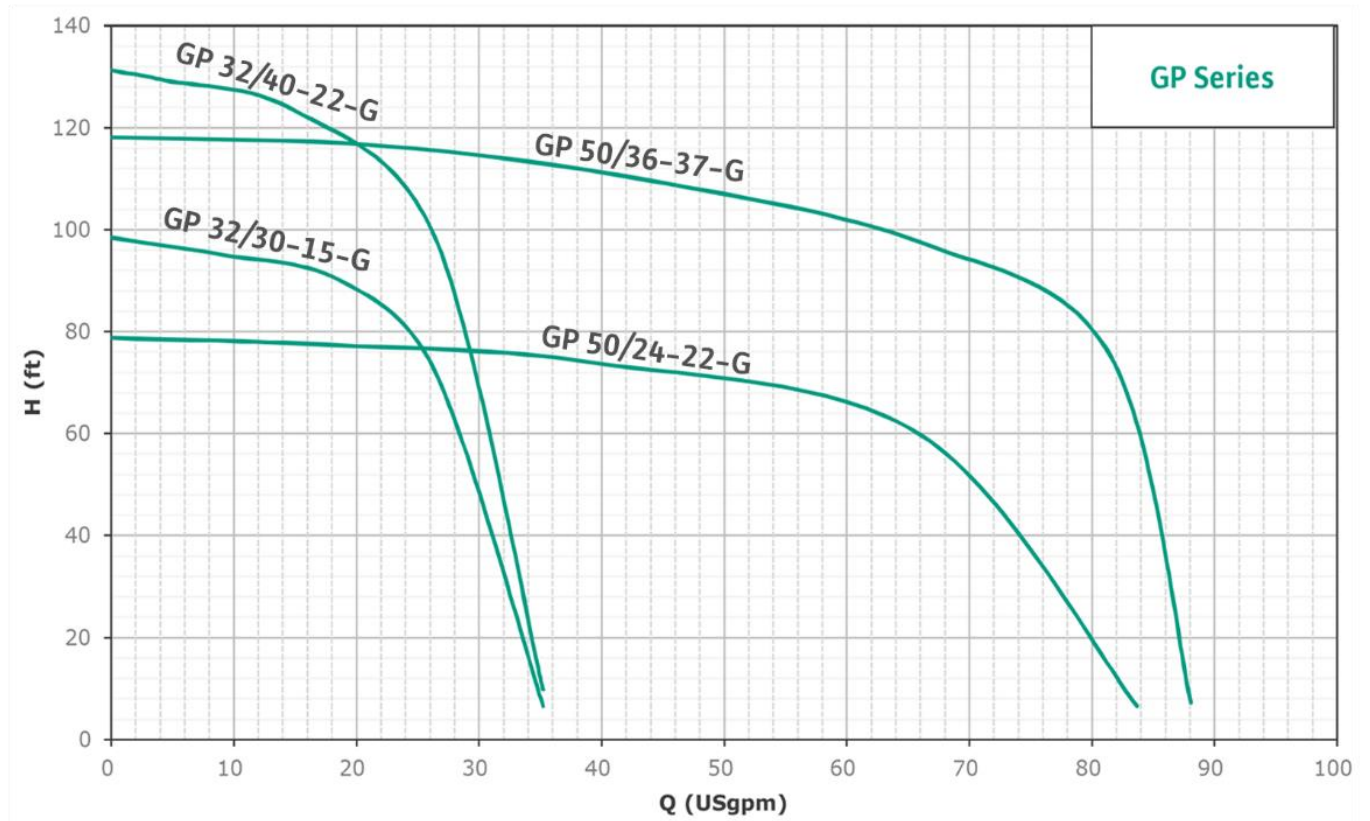
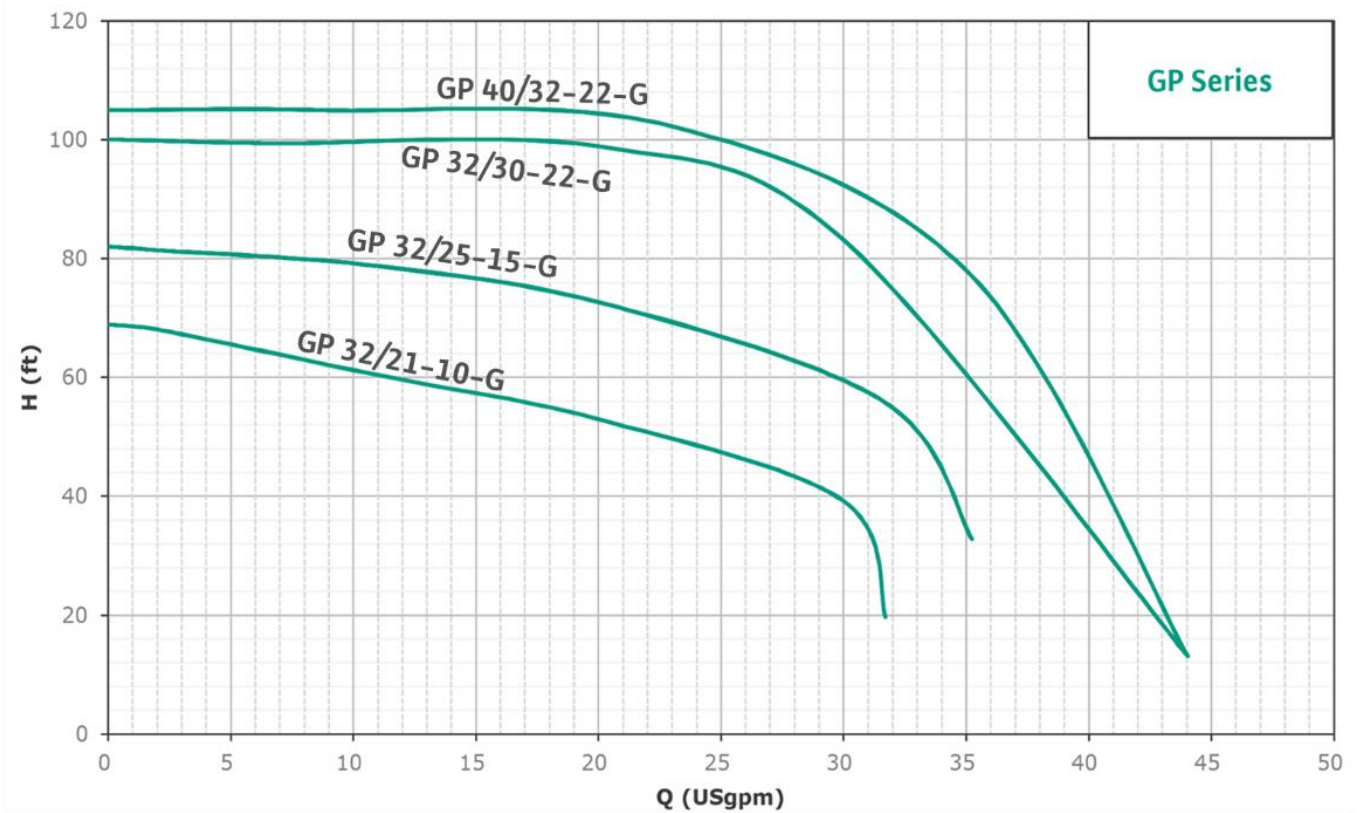
- Liquid Temperature: 0~40°C
- Max. Submersion Depth: 100 ft (30m)
- Frequency: 60Hz
- Motor: 2-Pole Dry Motor
- Insulation: Class B
- Protection: IP-68
- Bearing: Ball type
- Mechanical seal: Double Mech. seals
- Impeller: Grinder

Materials

- Upper cover : Cast Iron (FC200)
- Motor frame : Cast Iron (FC200)
- Shaft end : 403 Stainless Steel
- Mechanical seal
Upper : Carbon/Ceramic
Lower : Silicon/Silicon
- Casing : Cast Iron (FC200)
- Impeller : Cast Iron (FC200)
- Radial Cutter : 440C Stainless Steel
- Cutter Ring : 440C Stainless Steel
- Cable : VCT optional (H07RN-F)



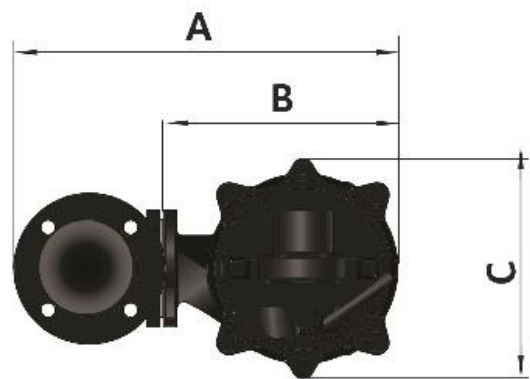
Performance Curve



Technical Data

Model	Discharge (mm)	Solid Passage (mm)	Rated power		Full Load Ampere				Pole	Weight (Kg)	
					1 ϕ		3 ϕ			1 ϕ	3 ϕ
			kW	HP	230V	230V	380V	460V			
GP 32/21-10-G	32	~	1	1.3	6.4	4.1	2.4	2	2	27	25
GP 32/25-15-G	32	~	1.5	2	10	6	3.4	3	2	36	32
GP 32/30-15-G	32	~	1.5	2	10	6	3.4	3	2	36	32
GP 32/30-22-G	32	~	2.2	3	14.6	8.6	4.8	4.2	2	38	35
GP 50/24-22-G	50	~	2.2	3	18.6	10.2	5.8	5	2	50	44
GP 50/36-37-G	50	~	3.7	5	24.4	13.8	7.8	6.8	2	50	47
GP 32/40-22-G	32	~	2.2	3	14.6	8.6	4.8	4.2	2	38	35

Model	A	B	C	D	
				1 ϕ	3 ϕ
	(mm)				
GP 32/21-10-G	249	214	177	555	530
GP 32/25-15-G	285	250	203	596	541
GP 32/30-15-G	285	250	203	596	541
GP 32/30-22-G	285	250	203	623	456
GP 50/24-22-G	556	374	226	589	589
GP 50/36-37-G	556	374	226	609	609
GP 32/40-22-G	285	203	156	623	541



Wilo – DP-CI – Drainage Pump Cast Iron



Type key

Example : **DP-CI 50/20-15-C-1**

DP-CI	Drainage pump-cast iron
50	Discharge (mm)
20	Shut-off head at Zero flow (m)
15	Motor power x 100 (watts)
C	Impeller type (Grinder)
1	Motor Phase
A	Float switch

Application

- General drainage
- Sewage disposal system
- Agriculture irrigation
- Water supply for aquaculture farming

Special features/product advantages

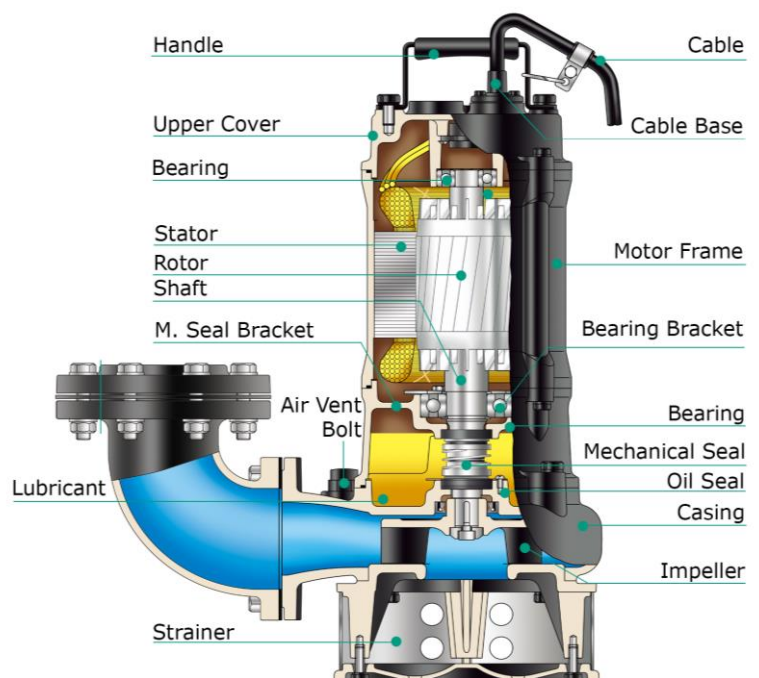
- Pump body is made of casting iron which make pump firm, and reliable.
- Efficient impeller which suitable for underground commercial facility, building basement, machine room and sanitation as well as underground leachate
- High reliability with auto cut motor protector and double seal mechanical seal.

Technical data

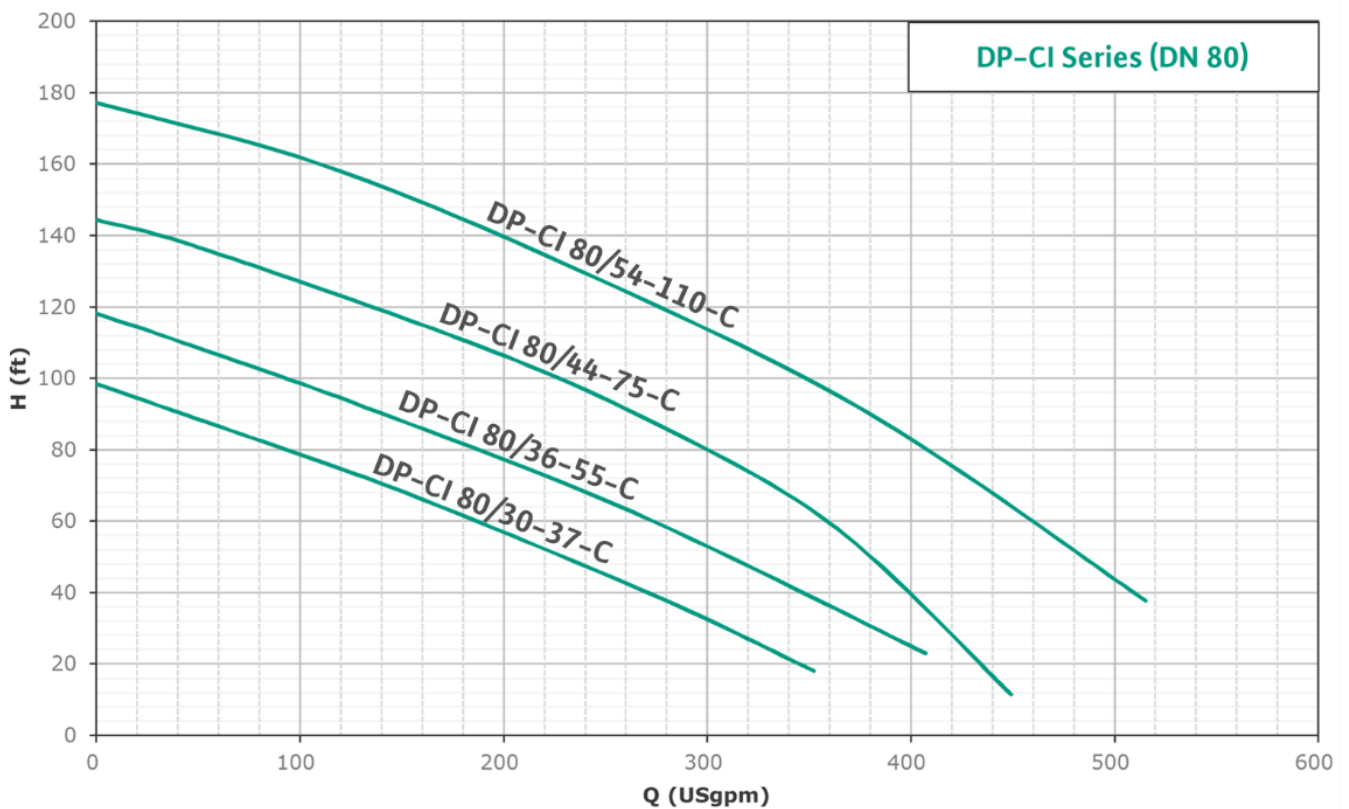
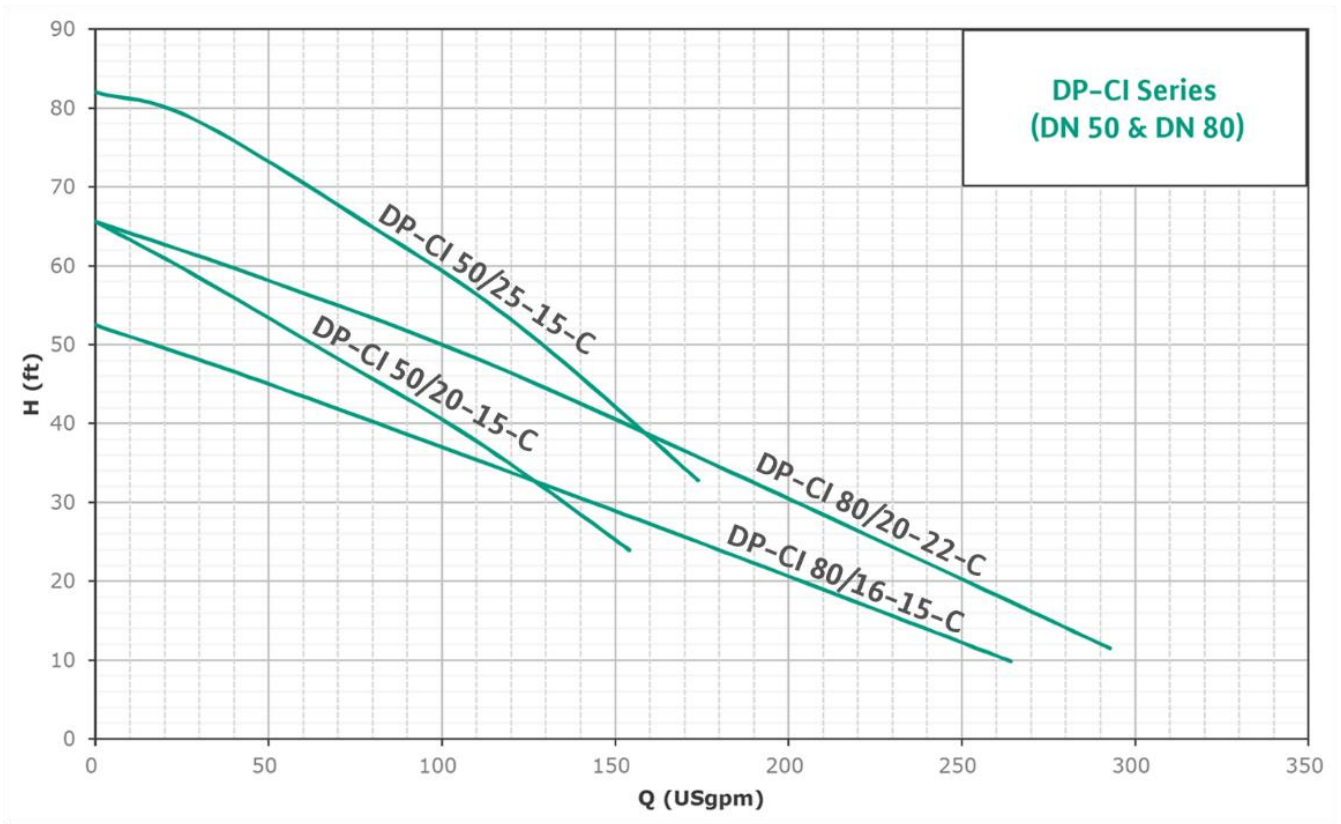
- Liquid Temperature: 0~40°C
- Max. Submersion Depth: 100 ft (30m)
- Frequency: 60 Hz
- Motor: 2-Pole Dry Motor
- Insulation: Class B (2~3HP)
Class F (5~15HP)
- Protection: IP-68
- Bearing: Ball type
- Mechanical seal: Double Mech. seals
- Impeller: Channel

Materials

- Upper cover : Cast Iron (FC200)
- Motor frame : Cast Iron (FC200)
- Shaft end : 403 Stainless Steel
- Mechanical seal
 - Upper : Carbon/Ceramic
 - Lower : Silicon/Silicon
- Casing : Cast Iron (FC200)
- Impeller : Cast Iron (FC200)
- Cable : VCT optional (H07RN-F)



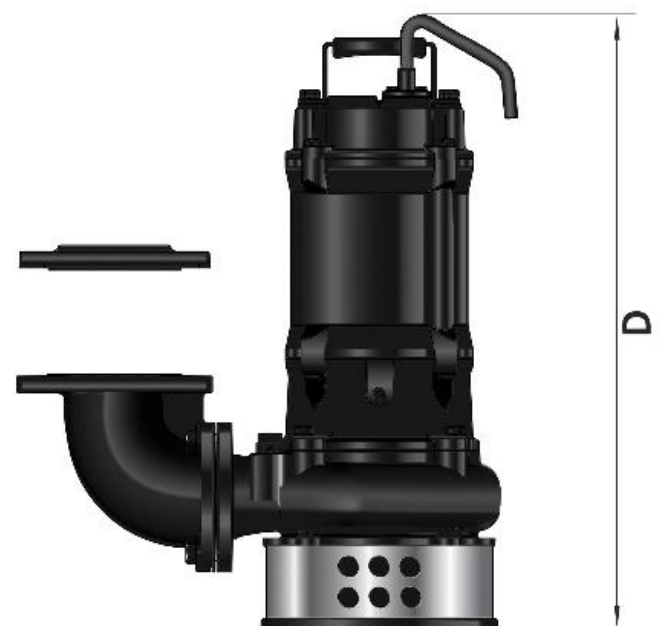
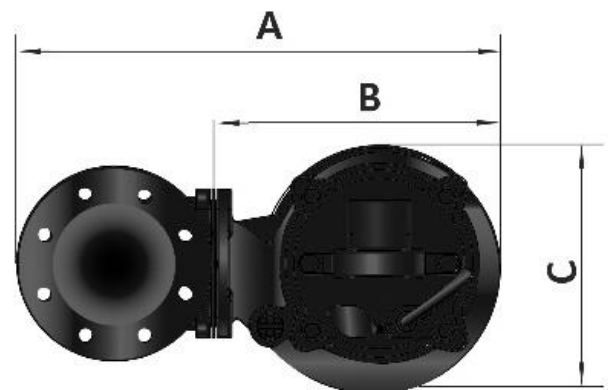
Performance Curve



Technical Data

Model	Discharge (mm)	Solid Passage (mm)	Rated power		Full Load Ampere				Pole	Weight (Kg)	
					1 ϕ	3 ϕ				1 ϕ	3 ϕ
			kW	HP	230V	230V	380V	460V			
DP-CI 50/20-15-C	50	20	1.5	2	10	6	3.4	3	2	35	31
DP-CI 80/16-15-C	80	20	1.5	2	10	6	3.4	3	2	37	32
DP-CI 50/25-15-C	50	20	1.5	2	14.6	8.6	4.8	4.2	2	38	34
DP-CI 80/20-22-C	80	20	2.2	3	14.6	8.6	4.8	4.2	2	39	35
DP-CI 80/30-37-C	80	20	3.7	5	~	13.8	7.8	6.8	2	~	49
DP-CI 80/36-55-C	80	20	5.5	7.5	~	19.8	11.5	9.5	2	~	74
DP-CI 80/44-75-C	80	20	7.5	10	~	25.8	15	12.3	2	~	80
DP-CI 80/54-110-C	80	20	11	15	~	37	21.8	17.7	2	~	90

Model	A	B	C	D	
				1 ϕ	3 ϕ
	(mm)				
DP-CI 50/20-15-C	278	240	212	565	514
DP-CI 80/16-15-C	391	249	214	575	520
DP-CI 50/25-15-C	278	240	212	598	514
DP-CI 80/20-22-C	391	249	214	602	520
DP-CI 80/30-37-C	470	278	242	~	578
DP-CI 80/36-55-C	534	342	290	~	689
DP-CI 80/44-75-C	534	342	290	~	689
DP-CI 80/54-110-C	565	342	290	~	729



Wilo – SWP Series – Sewage Pump



Technical data

- Liquid Temperature: 0~40°C
- Frequency: 60 Hz
- Motor: 2- 4 Pole Dry Motor
- Insulation: Class B
Class F (5HP)
- Protection: IP-68
- Protector: Auto-cut
- Bearing: Ball type
- Mechanical seal: Double Mech. seals
- Impeller: Vortex or Channel

Materials

- Upper cover : Cast Iron (FC200)
- Motor frame : Cast Iron (FC200)
- Shaft end : 403 Stainless Steel
- Mechanical seal
 - Upper : Carbon/Ceramic
 - Lower : Silicon/Silicon
- Casing : Cast Iron (FC200)
- Impeller : Cast Iron (FC200)
- Cable : VCT optional (H07RN-F)

Type key

Example : **SWP 50/7-04-V-1**

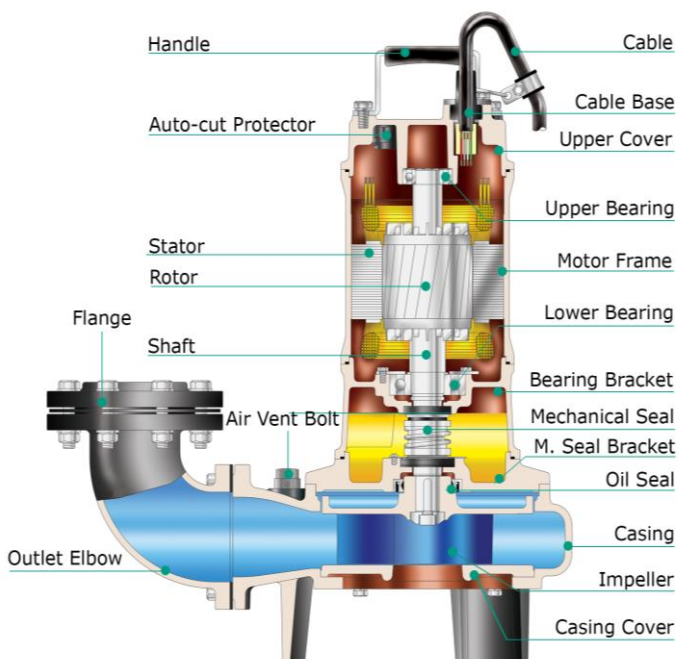
SWP	Sewage Pump
50	Discharge (mm)
7	Shut-off head at Zero flow (m)
04	Motor power x 100 (watts)
V	Impeller type (V – Vortex/ C– Channel)
1	Motor Phase
A	Float switch

Application

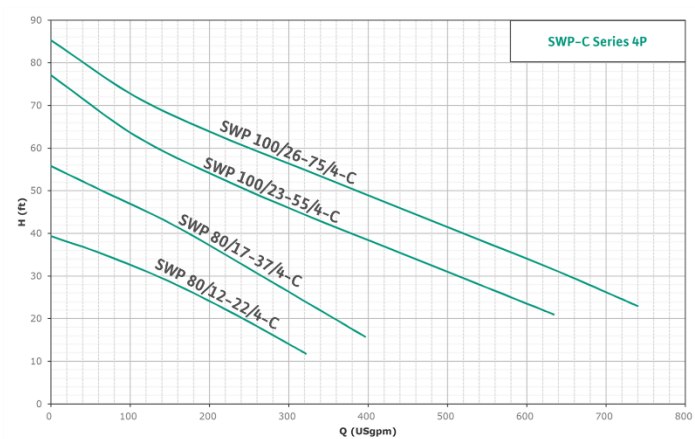
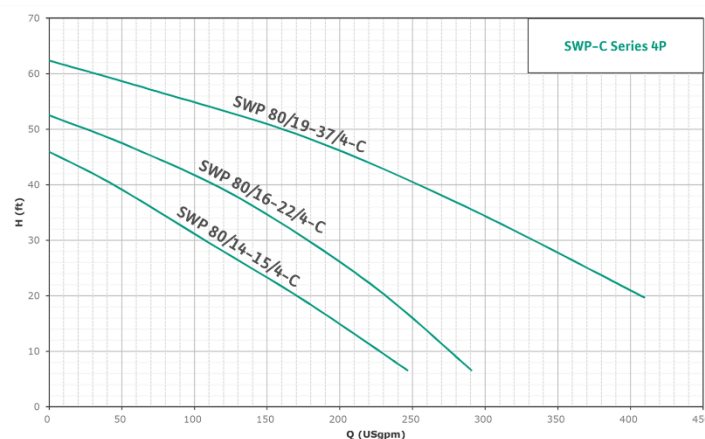
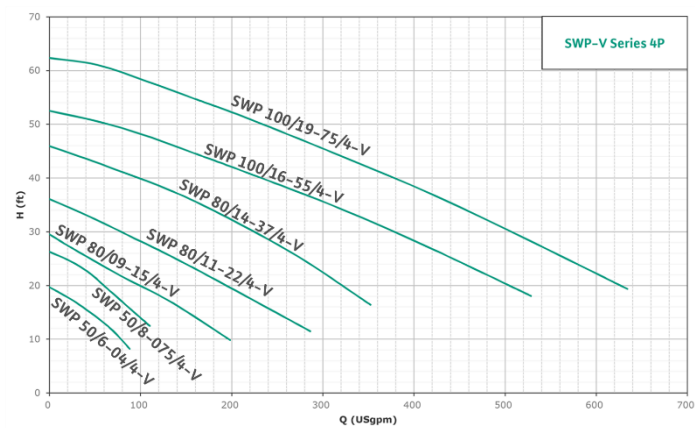
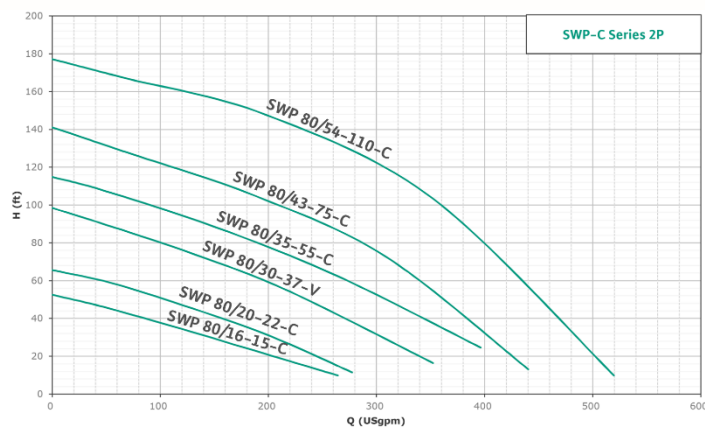
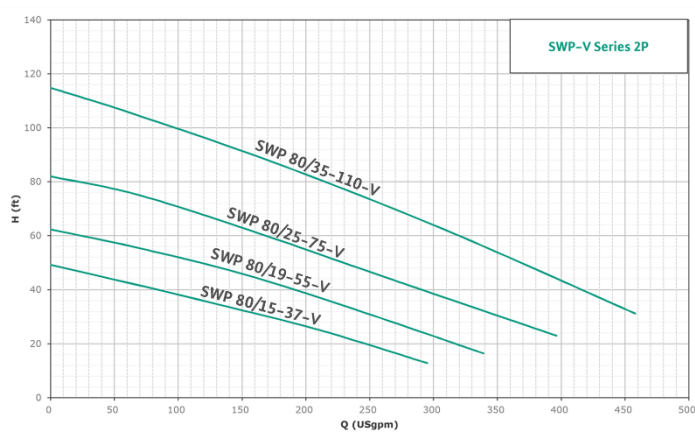
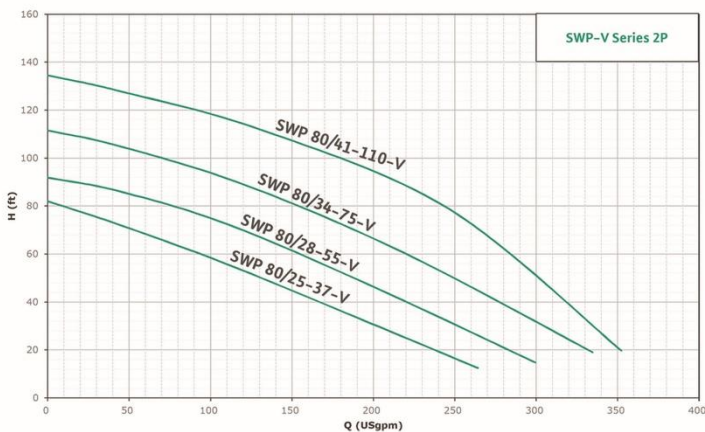
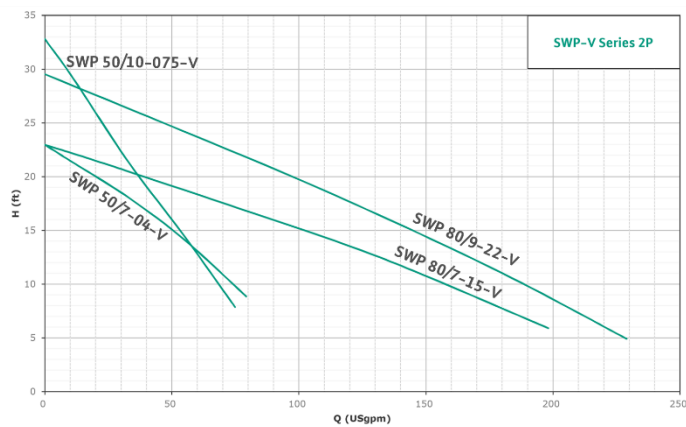
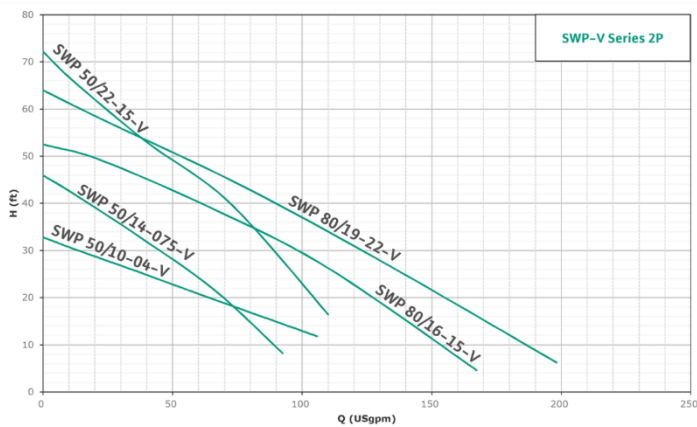
- Drainage for wastewater and factories, and waste water treatment plant.
- Delivery of sewage at sewage treatment plant, human waste treatment.
- Drainage for buildings.
- Treatment utility drainage

Special features/product advantages

- International standard design. Offering highest quality and performance
- Multiple impeller designs to handle sewage applications solid or fibrous substances.
- Full range offering low to high head and flow capabilities with compact and easy installation.



Performance Curve

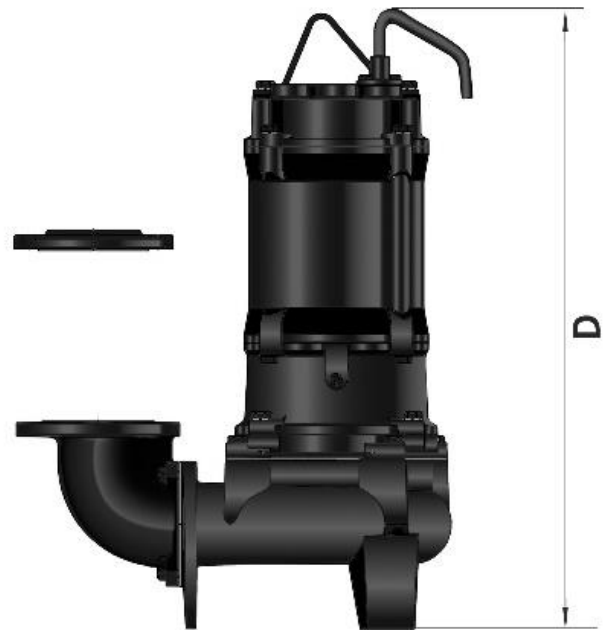
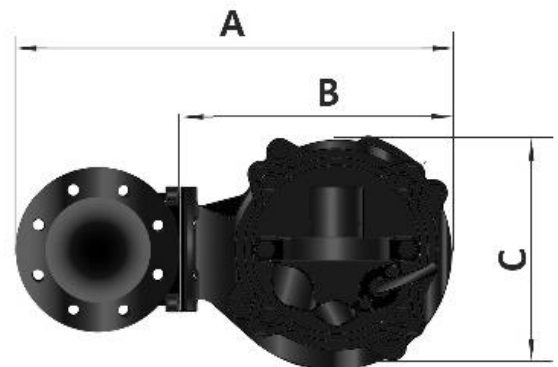


Technical Data

Model	Discharge (mm)	Solid Passage (mm)	Rated power		Full Load Ampere				Pole	Weight (kg)	
					1 ϕ		3 ϕ			1 ϕ	3 ϕ
			kW	HP	230V	230V	380V	460V			
SWP 50/7-04-V	50	50	0.4	0.5	3.3	2.3	1.3	1.1	2	20	19
SWP 50/10-075-V	50	50	0.75	1	5	3.4	1.9	1.7	2	22	21
SWP 80/7-15-V	80	76	1.5	2	10	6	3.4	3	2	38	34
SWP 80/9-22-V	80	76	2.2	3	14.6	8.6	4.8	4.2	2	40	36
SWP 80/15-37-V	80	76	3.7	5	~	13.8	7.8	6.8	2	~	48
SWP 80/19-55-V	80	76	5.5	7.5	~	19.8	11.5	9.5	2	~	69
SWP 80/25-75-V	80	76	7.5	10	~	25.8	15	12.3	2	~	75
SWP 80/16-15-C	80	35	1.5	2	10	6	3.4	3	2	37	33
SWP 80/20-22-C	80	35	2.2	3	14.6	8.66	4.8	4.2	2	40	35
SWP 80/30-37-C	80	32	3.7	5	~	13.8	7.8	6.8	2	~	48
SWP 80/35-55-C	80	30	5.5	7.5	~	19.8	11.5	9.5	2	~	74
SWP 80/43-75-C	80	30	7.5	10	~	25.8	15	12.3	2	~	80
SWP 50/10-04-V	50	35	0.4	0.5	3.3	2.3	1.3	1.1	2	19	18
SWP 50/14-075-V	50	35	0.75	1	5	3.4	1.9	1.7	2	29	19
SWP 50/22-15-V	50	35	1.5	2	10	6	3.4	3	2	33	29
SWP 80/16-15-V	80	50	1.5	2	10	6	3.4	3	2	35	32
SWP 80/19-22-V	80	50	2.2	3	14.6	8.6	4.8	4.2	2	38	34
SWP 80/25-37-V	80	50	3.7	5	~	13.8	7.8	6.8	2	~	45
SWP 80/28-55-V	80	50	5.5	7.5	~	19.8	11.5	9.5	2	~	67
SWP 80/34-75-V	80	50	7.5	10	~	25.8	15	12.3	2	~	74
SWP 50/6-04/4-V	50	50	0.4	0.5	3.2	2.2	1.2	1.1	4	30	28
SWP 50/8-075/4-V	50	50	0.75	1	5.2	3.5	2	1.8	4	30	29
SWP 80/9-15/4-V	80	76	1.5	2	10.2	6.4	3.6	3.2	4	47	47
SWP 80/11-22/4-V	80	76	2.2	3	~	8.9	5.2	4.5	4	~	56
SWP 80/14-37/4-V	80	76	3.7	5	~	14.6	5.2	7.3	4	~	63
SWP 100/16-55/4-V	100	100	5.5	7.5	~	12.4	12.4	10.1	4	~	95
SWP 100/19-75/4-V	100	100	7.5	10	~	16.1	16.1	13.2	4	~	194
SWP 80/14-15/4-C	80	50	1.5	2	10.2	6.6	3.6	3.2	4	46	47
SWP 80/16-22/4-C	80	50	2.2	3	~	9	5.2	4.5	4	~	56
SWP 80/19-37/4-C	80	50	3.7	5	~	14.8	8.4	7.3	4	~	66
SWP 80/12-22/4-C	80	76	2.2	3	~	9	5.2	4.5	4	~	60
SWP 80/17-37/4-C	80	76	3.7	5	~	14.8	8.4	7.3	4	~	68
SWP 100/23-55/4-C	100	76	5.5	7.5	~	21	12.4	10.1	4	~	104
SWP 100/26-75/4-C	100	76	7.5	10	~	27.4	16.1	13.2	4	~	113

Dimension

Model	A	B	C	D	
				1 Ø	3 Ø
(mm)					
SWP 50/7-04-V	307	201	164	447	447
SWP 50/10-075-V	307	201	164	447	447
SWP 80/7-15-V	572	417	221	626	571
SWP 80/9-22-V	572	417	221	653	571
SWP 80/15-37-V	481	286	103	~	625
SWP 80/19-55-V	506	314	273	~	717
SWP 80/25-75-V	506	314	273	~	717
SWP 80/16-15-C	417	275	260	576	521
SWP 80/20-22-C	417	275	260	603	521
SWP 80/30-37-C	498	305	290	~	578
SWP 80/35-55-C	440	248	207	~	689
SWP 80/43-75-C	565	373	689	~	689
SWP 50/10-04-V	235	197	154	417	417
SWP 50/14-075-V	235	197	154	417	417
SWP 50/22-15-V	288	250	202	532	477
SWP 80/16-15-V	397	260	202	574	519
SWP 80/19-22-V	397	260	202	601	519
SWP 80/25-37-V	481	286	222	~	573
SWP 80/28-55-V	501	309	258	~	665
SWP 80/34-75-V	501	309	258	~	665
SWP 50/6-04/4-V	347	241	204	526	526
SWP 50/8-075/4-V	347	241	204	526	526
SWP 80/9-15/4-V	447	305	255	698	621
SWP 80/11-22/4-V	535	343	289	~	655
SWP 80/14-37/4-V	535	343	289	~	695
SWP 100/16-55/4-V	~	~	~	~	~
SWP 100/19-75/4-V	~	~	~	~	~
SWP 80/14-15/4-C	474	332	288	645	567
SWP 80/16-22/4-C	550	358	313	~	603
SWP 80/19-37/4-C	550	358	313	~	643
SWP 80/12-22/4-C	521	328	287	~	660
SWP 80/17-37/4-C	521	328	287	~	700
SWP 100/23-55/4-C	618	395	345	~	700
SWP 100/26-75/4-C	318	395	345	~	700



Wilo – SSV Series – Stainless Steel Submersible Vortex Pump



Type key

Example : **SSV 50/9-04-V-1-A**

SSV	Stainless Steel Vortex
50	Discharge (mm)
09	Shut-off head at Zero flow (m)
04	Motor power x 100 (watts)
V	Impeller type V: Vortex
1	Motor Phase
A	Float switch

Application

- Water drainage for industrial applications such as pharmaceutical and metal processing plants.

Special features/product advantages

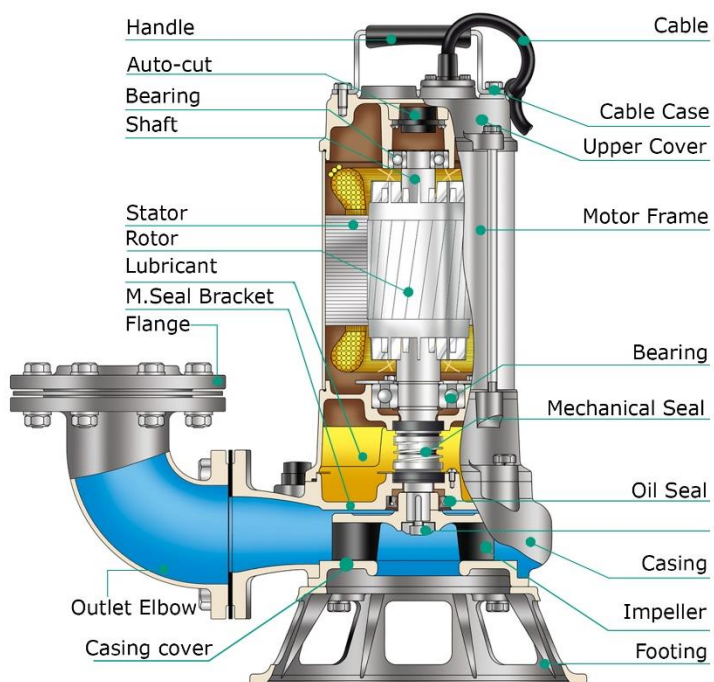
- Best structure design, dry motor, double mechanical seals, equipped with thermal protection, and acid-resistant silicon carbide seals.
- This series is suitable for all, light acid, corrosive and/or sea water applications.
- Precision casting with the use of an advanced, stainless investment casting method that produces the highest quality with smooth surface finish.
- Viton O-rings are used throughout the pump to give extended pump life in corrosive and aggressive media.

Technical data

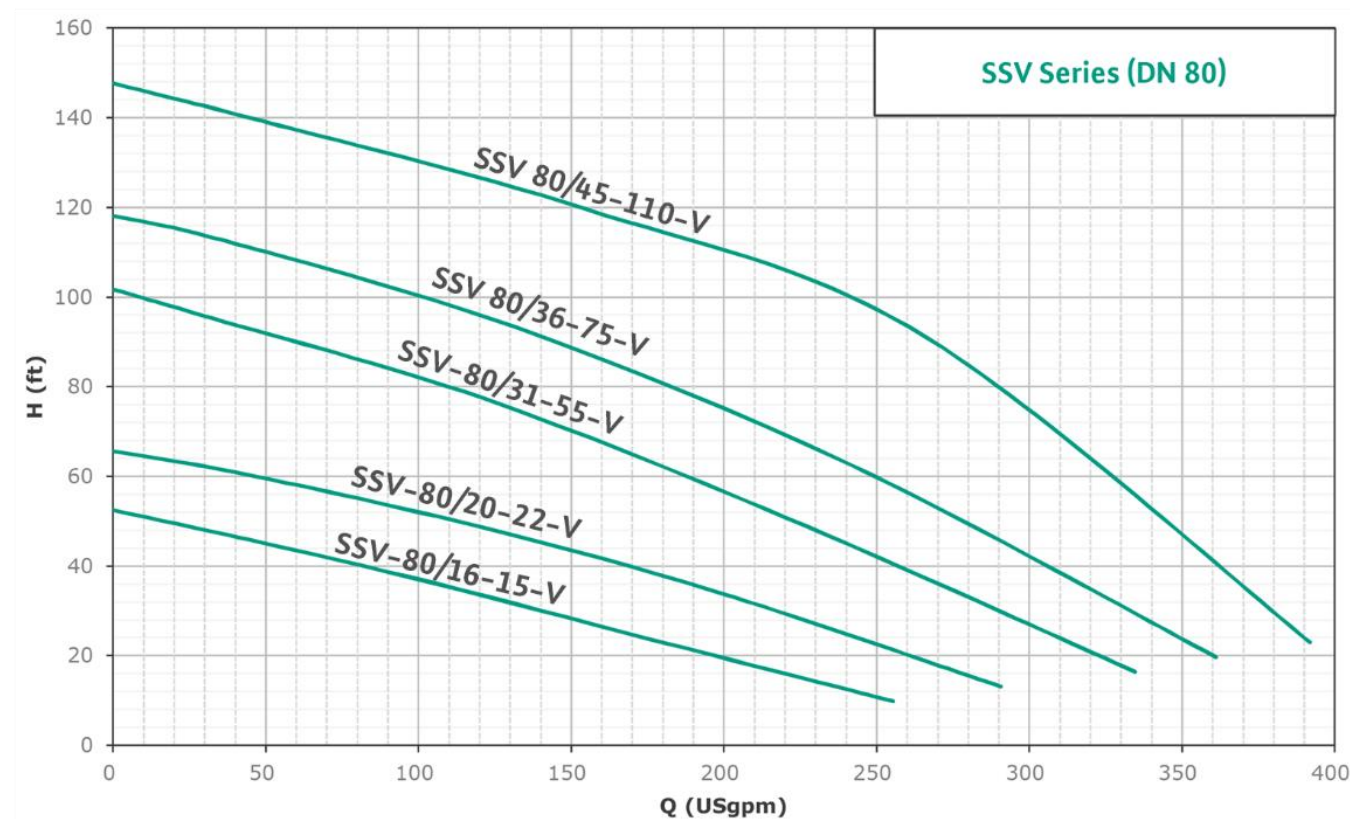
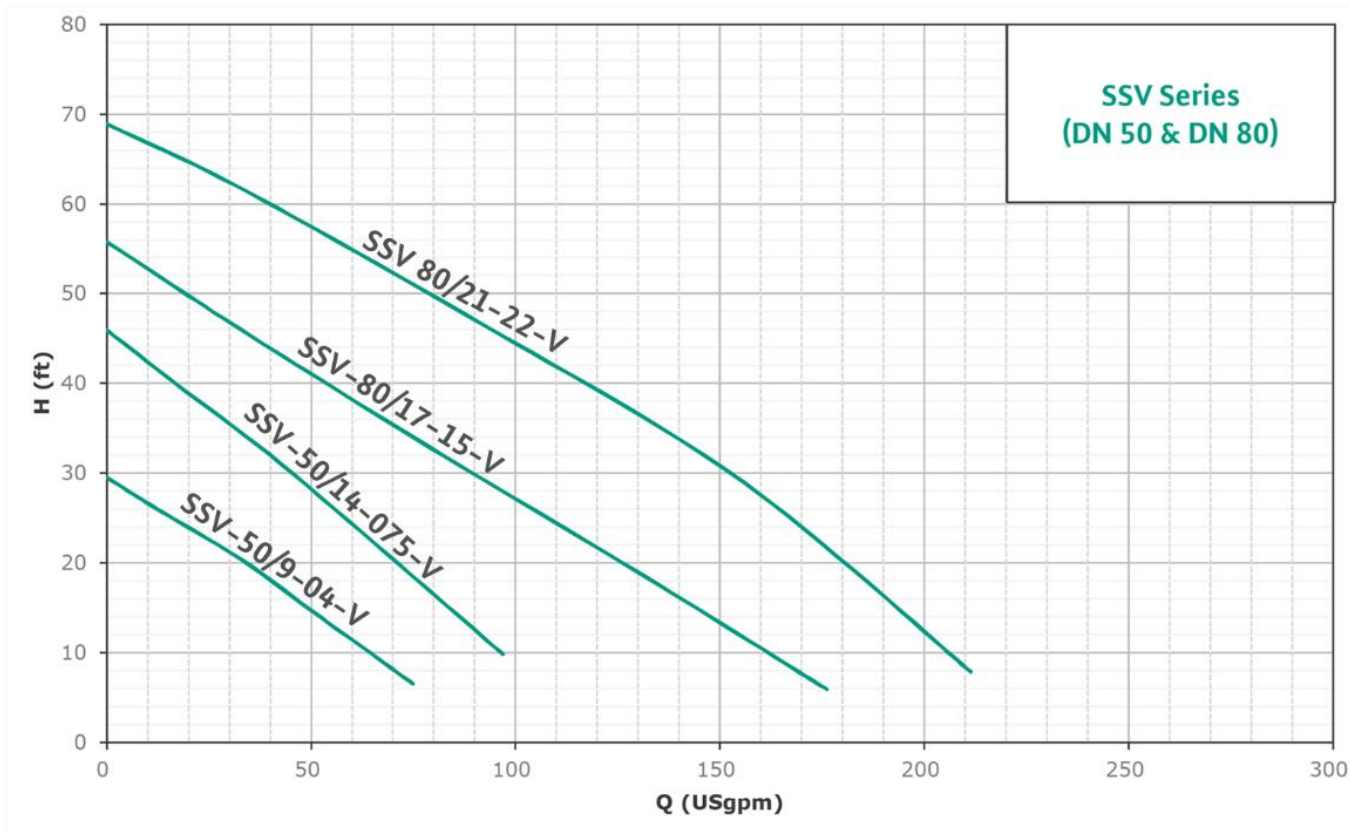
- Liquid Temperature : 0~40°C
- Max. Submersion Depth : 100 ft (30m)
- Frequency : 60Hz
- Motor : 2-Pole Dry Motor
- Insulation : Class B (Up to 2.2kW)
Class F (3kW and above)
- Protection : IP-68
- Bearing : Ball type
- Mechanical seal : Double Mech. seals
- Impeller : Vortex

Materials

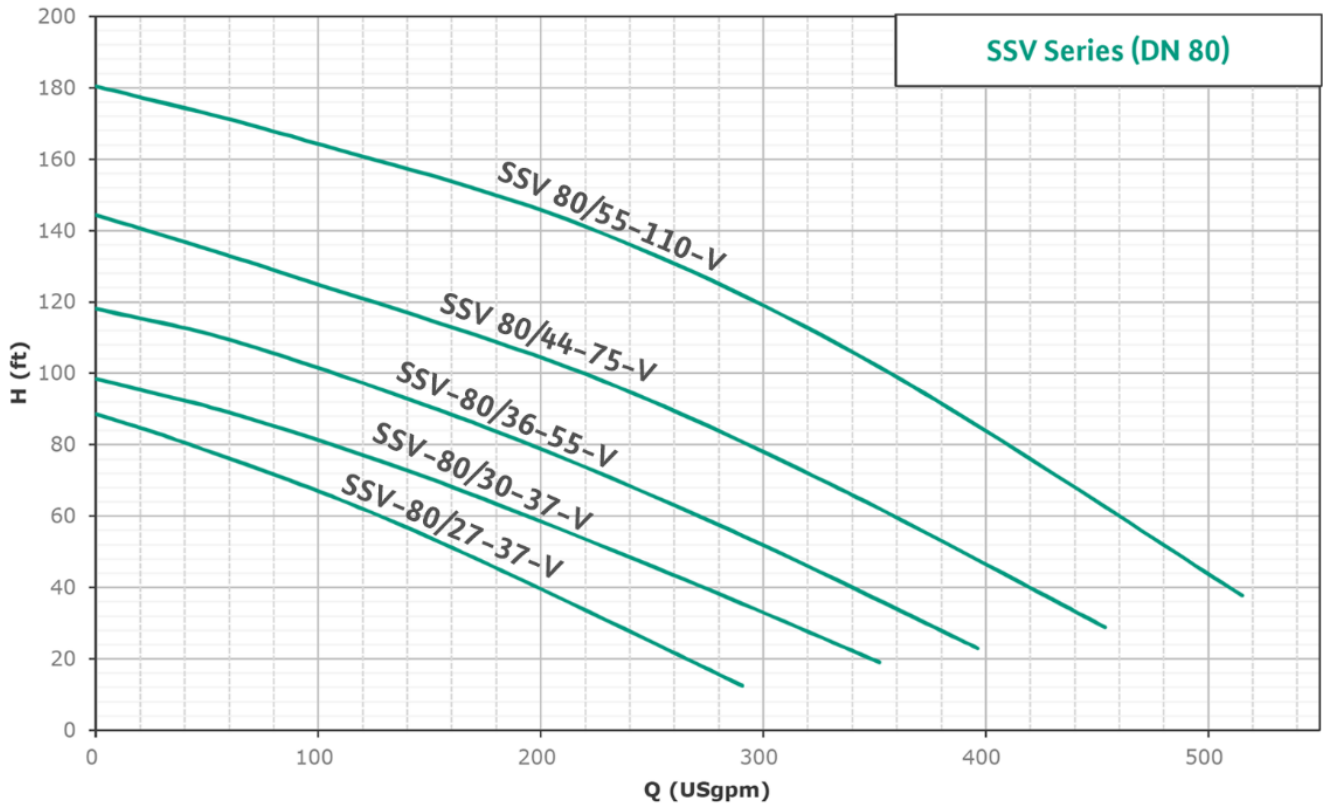
- Upper cover: Cast 316 Stainless Steel
- Motor frame: SUS316 Stainless Steel
- Shaft end: SUS316 Stainless Steel
- Mechanical seal
 - Upper : Carbon/Ceramic
 - Lower : Silicon/Silicon
- O-Ring: Viton
- Casing: Cast 316 Stainless Steel
- Impeller: Cast 316 Stainless Steel
- Cable: VCT optional (H07RN-F)



Performance Curve



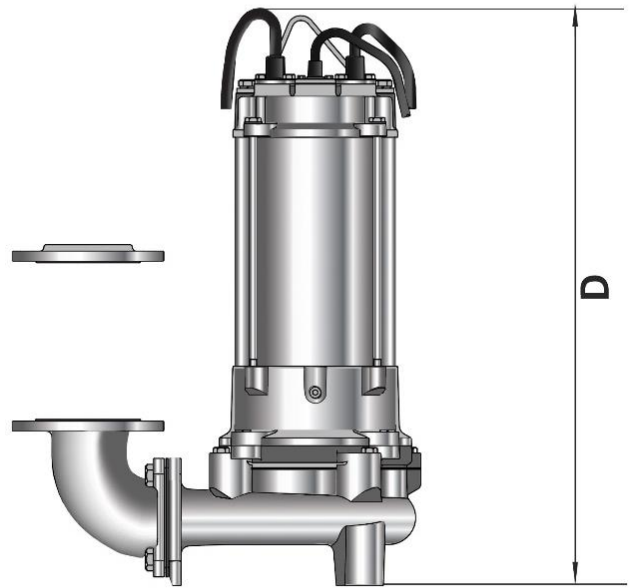
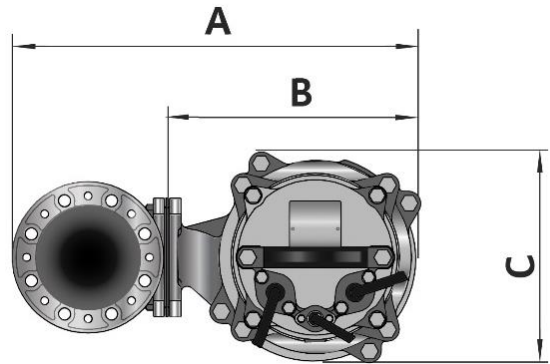
Technical Data



Model	Discharge (mm)	Solid Passage (mm)	Rated power		Full Load Ampere				Pole	Weight (Kg)	
					1 Ø		3 Ø			1 Ø	3 Ø
			kW	HP	230V	230V	380V	460V			
SSV 50/9-04-V	50	35	0.4	0.5	3.2	2.2	1.3	1.1	2-pole	15	14
SSV 50/14-075-V	50	35	0.75	1	5.0	3.3	1.9	1.6	2-pole	16	15
SSV 80/17-15-V	80	50	1.5	2	-	6.0	3.4	3.0	2-pole	-	26
SSV 80/21-22-V	80	50	2.2	3	-	8.4	4.8	4.2	2-pole	-	29
SSV 80/27-37-V	80	50	3.7	5	-	13.6	7.8	6.8	2-pole	-	40
SSV 80/31-55-V	80	50	5.5	7.5	-	19.0	11.5	9.5	2-pole	-	60
SSV 80/36-75-V	80	50	7.5	10	-	24.6	15.0	12.3	2-pole	-	66
SSV 80/45-110-V	80	50	11	15	-	35.5	21.8	17.7	2-pole	-	75
SSV 80/16-15-V	80	50	1.5	2	-	6.0	3.4	3.0	2-pole	-	28
SSV 80/20-22-V	80	50	2.2	3	-	8.4	4.8	4.2	2-pole	-	31
SSV 80/30-37-V	80	50	3.7	5	-	13.6	7.8	6.8	2-pole	-	43
SSV 80/36-55-V	80	50	5.5	7.5	-	19.0	11.5	9.5	2-pole	-	66
SSV 80/44-75-V	80	50	7.5	10	-	24.6	15.0	12.3	2-pole	-	72
SSV 80/55-110-V	80	50	11	15	-	25.5	21.8	17.7	2-pole	-	81

Dimension

Model	A	B	C	D	
				1 \varnothing	3 \varnothing
	(mm)				
SSV 50/9-04-V	237	199	153	433	433
SSV 50/14-075-V	237	199	153	433	433
SSV 80/17-15-V-3	402	260	202	517	517
SSV 80/21-22-V-3	402	260	202	517	517
SSV 80/27-37-V-3	476	286	222	561	561
SSV 80/31-55-V-3	499	409	258	657	657
SSV 80/36-75-V-3	499	409	258	657	657
SSV 80/45-110-V-3	499	309	258	697	697
SSV 80/16-15-V-3	417	275	260	521	521
SSV 80/20-22-V-3	417	275	260	521	521
SSV 80/30-37-V-3	495	305	290	568	568
SSV 80/36-55-V-3	563	373	345	684	684
SSV 80/44-75-V-3	563	373	345	684	684
SSV 80/55-110-V-3	563	373	345	724	724



Wilo – SSD Series – Stainless Steel Submersible Drainage Pump



Type key

Example : **SSD 80/16-15-C-3-A**

SSD	Stainless Steel Drainage
80	Discharge (mm)
16	Shut-off head at Zero flow (m)
15	Motor power x 100 (watts)
C	Impeller type V: Vortex, C: Channel
3	Motor Phase
A	Float switch

Application

- Water drainage for industrial applications such as pharmaceutical and metal processing plants.

Special features/product advantages

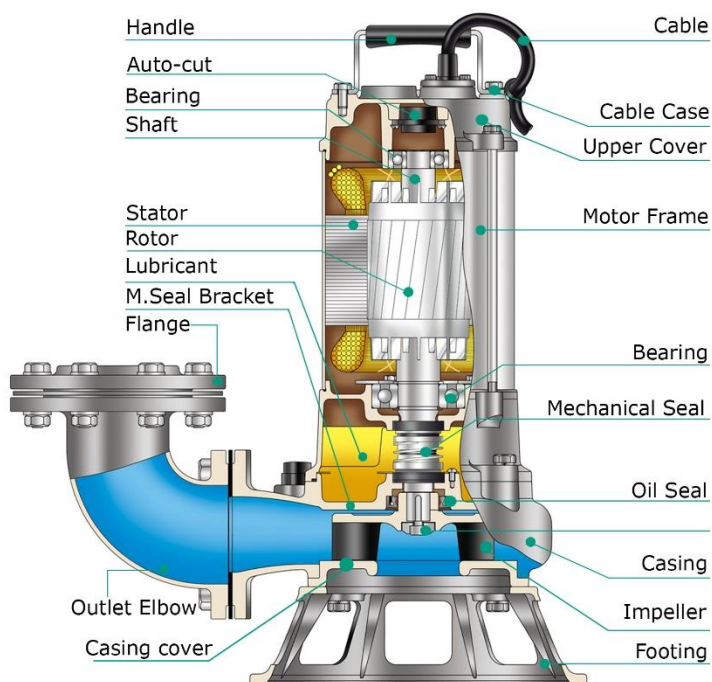
- Best structure design, dry motor, double mechanical seals, equipped with thermal protection, and acid-resistant silicon carbide seals.
- This series is suitable for all, light acid, corrosive and/or sea water applications.
- Precision casting with the use of an advanced, stainless investment casting method that produces the highest quality with smooth surface finish.
- Viton O-rings are used throughout the pump to give extended pump life in corrosive and aggressive media.

Technical data

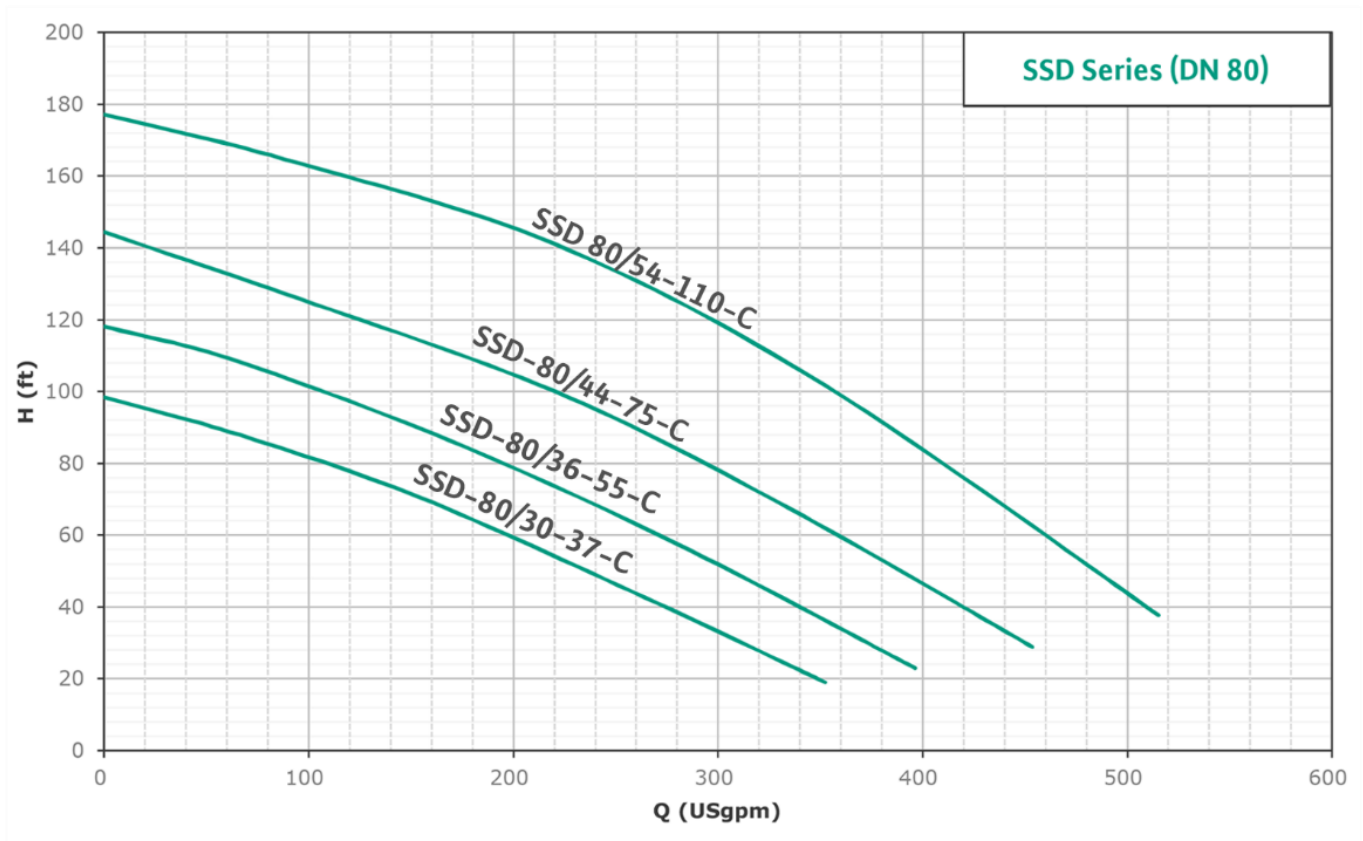
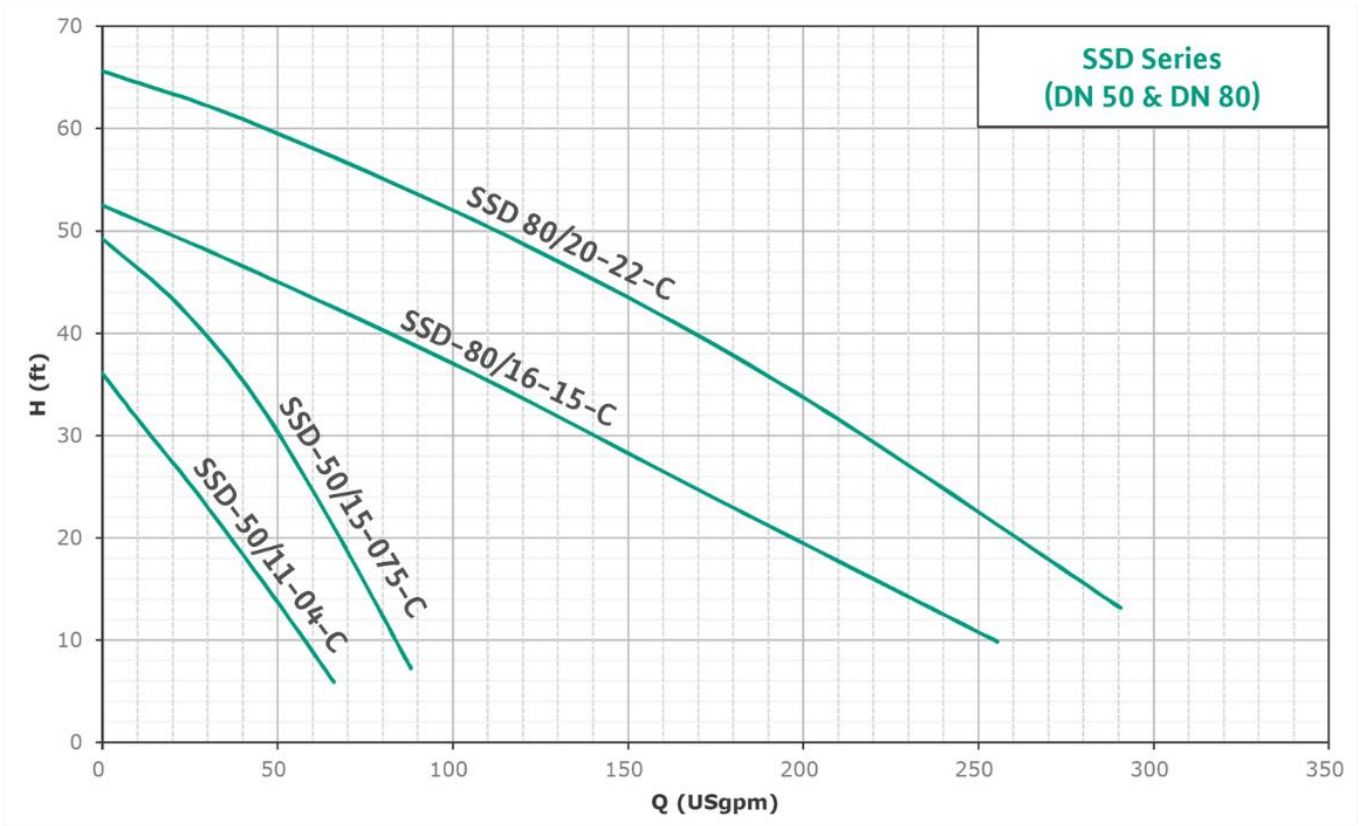
- Liquid Temperature : 0~40°C
- Max. Submersion Depth : 100 ft (30m)
- Frequency : 60Hz
- Motor : 2-Pole Dry Motor
- Insulation : Class B (Up to 2.2kW)
Class F (3kW and above)
- Protection : IP-68
- Bearing : Ball type
- Mechanical seal : Double Mech. seals
- Impeller : Vortex

Materials

- Upper cover: Cast 316 Stainless Steel
- Motor frame: SUS316 Stainless Steel
- Shaft end: SUS316 Stainless Steel
- Mechanical seal
 - Upper : Carbon/Ceramic
 - Lower : Silicon/Silicon
- O-Ring: Viton
- Casing: Cast 316 Stainless Steel
- Impeller: Cast 316 Stainless Steel
- Cable: VCT optional (H07RN-F)



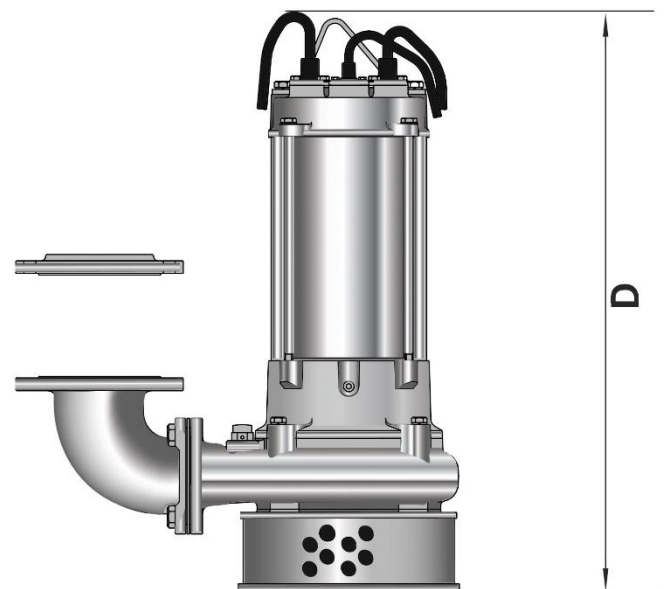
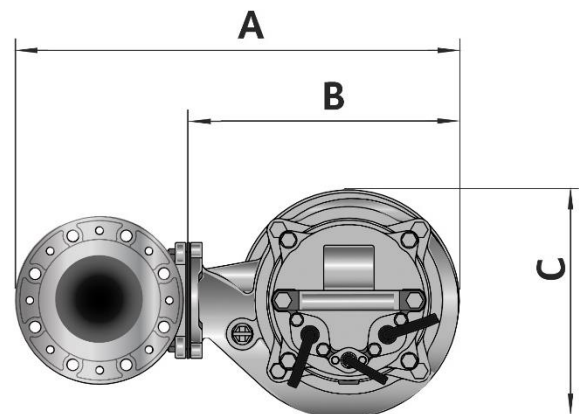
Performance Curve



Technical Data

Model	Discharge (mm)	Solid Passage (mm)	Rated power		Full Load Ampere				Pole	Weight (Kg)	
					1 ϕ	3 ϕ				1 ϕ	3 ϕ
			kW	HP	230V	230V	380V	460V			
SSD 50/11-04-C	50	10	0.4	0.5	3.2	2.2	1.3	1.1	2-pole	14	14
SSD 50/15-075-C	50	10	0.75	1	5.0	3.3	1.9	1.6	2-pole	16	15
SSD 80/16-15-C-3	80	20	1.5	2	-	6.0	3.4	3.0	2-pole	-	29
SSD 80/20-22-C-3	80	20	2.2	3	-	8.4	4.8	4.2	2-pole	-	32
SSD 80/30-37-C-3	80	20	3.7	5	-	13.6	7.8	6.8	2-pole	-	44
SSD 80/36-55-C-3	80	20	5.5	7.5	-	19.0	11.5	9.5	2-pole	-	66
SSD 80/44-75-C-3	80	20	7.5	10	-	24.6	15.0	12.3	2-pole	-	72
SSD 80/54-110-C-3	80	20	11	15	-	35.5	21.8	17.7	2-pole	-	81

Model	A	B	C	D	
				1 ϕ	3 ϕ
	(mm)				
SSD 50/11-04-C	244	206	172	435	435
SSD 50/15-075-C	244	206	172	435	435
SSD 80/16-15-C-3	390	248	212	520	520
SSD 80/20-22-C-3	390	248	212	520	520
SSD 80/30-37-C-3	465	275	239	568	568
SSD 80/36-55-C-3	528	338	286	684	684
SSD 80/44-75-C-3	528	338	286	684	684
SSD 80/54-110-C-3	528	338	286	724	724



**“ When it comes to
drainage and sewage,
I also rely completely
on Wilo”**

**Your specialist for drainage
and sewage disposal.**



**german
brand
award
2016
gold**



Member of

**German Water
Partnership**

Pioneering for You

wilo



WILO SE
Nortkirchenstraße 100
44263 Dortmund
T +49 231 4102-7516
F +49 231 4102-7666
wilo@wilo.com
www.wilo.com

Wilo SE Representative Office (Philippines)
8F Unit 810 The Infinity
26th Street, Bonifacio Global City
Taguig City, 1634 Philippines
T +632 553 4016
F +632 553 0544
sales@wilo-philippines.com
www.wilo.com